



OUTDOOR LIGHTING

TABLE OF CONTENTS

| |
|-------------|
| 15 00 00 01 |
| 1 of 1 |

| | |
|--|-------------|
| LUMINAIRES DATA..... | 15 00 01 01 |
| PHOTOCONTROLS..... | 15 00 03 01 |
| MULTIPLE LIGHT CONTROL - REMOTE OPERATED..... | 15 00 03 02 |
| LUMINAIRE COMPONENTS - LED BRACKET MOUNT..... | 15 70 13 ** |
| LUMINAIRE COMPONENTS - HID DECORATIVE (POST TOP)..... | 15 70 14 ** |
| LUMINAIRE COMPONENTS - LED DECORATIVE (POST TOP)..... | 15 70 15 ** |
| LUMINAIRE COMPONENTS - LED DIRECTIONAL (FLOOD LIGHT)..... | 15 70 17 ** |
| STREET LIGHT BRACKETS - WOOD POLE..... | 15 70 18 01 |
| INSTALLATION ON WOOD POLE..... | 15 74 01 ** |
| INSTALLATION ON WOOD LINE POLE ABOVE COMMUNICATIONS..... | 15 74 02 ** |
| FIBERGLASS POLE 30' AND ABOVE - UG CIRCUIT..... | 15 74 09 ** |
| DIRECTIONAL (FLOOD) INSTALLATION..... | 15 74 14 ** |
| RISER FOR DIRECT BURIED CIRCUIT..... | 15 74 50 01 |
| DECORATIVE (POST TOP) FIBERGLASS POLE - 14' Mounting Height..... | 15 75 05 01 |
| DECORATIVE (POST TOP) FIBERGLASS POLE / CONDUIT - 14' Mounting Height..... | 15 75 05 02 |
| FIBERGLASS POLE / CONDUIT ACCESS HOLE INSTALLATION..... | 15 75 05 03 |
| SPLICE BOX INSTALLATION..... | 15 75 05 04 |
| DECORATIVE (POST TOP) ALUMINUM POLE - 14' MOUNTING HEIGHT..... | 15 76 01 ** |
| WOOD POLE - UG CIRCUIT..... | 15 77 01 ** |
| CUSTOMER OWNED UNMETERED STREET LIGHT INSTALLATION..... | 15 78 00 00 |
| BREAKAWAY POLE - 30' AND ABOVE UG CIRCUIT..... | 15 80 10 ** |
| OUTDOOR LIGHT TAGGING..... | 15 90 01 01 |



OUTDOOR LIGHTING

Luminaires Data

15 00 01 01

1 of 9

This standard covers standard luminaires, respective stock codes and characteristics, mounting height, and reference chart.

1. Standard Luminaires

A. Bracket Mount (Area) Luminaires

All new installations will be made using Light Emitting Diode (LED) equivalent bracket mount luminaires. The existing High Pressure Sodium (HPS), Pulse-start Metal Halide (PMH), probe-start Metal Halide (MH) and Mercury Vapor (MV) luminaires are no longer available, and may remain in-service until the luminaire, lamp or photocontrol failure.

B. Directional (Flood) Luminaires

All new installations will be made using LED equivalent directional (flood) luminaires. The existing HPS, PMH, MH and MV luminaires are no longer available, and may remain in-service until the luminaire, lamp or photocontrol failure.

C. Decorative (Post Top) Luminaires

In Missouri all new lighting installations will be made using LED equivalent decorative (post top) luminaires. The existing HID post top luminaires are no longer available, and may remain in-service until the luminaire failure for Contemporary and Aspen. Existing HID Colonial and Early American post top luminaires may remain in-service until the luminaire, lamp or photocontrol failure.

In Illinois all new lighting installations will be made using LED equivalent decorative (post top) luminaires. The existing HID decorative (post top) luminaires are no longer available, and may remain in-service until the luminaire, lamp, or photocontrol failure.

Table 1 - Standard Luminaires

| Stock # | Style | State | Lamp | Watts | IES Light Pattern | Volts | Correlated Color Temp. $\triangleleft 1$ (CCT) (Kelvin) | Lumens | Start/ OP Amps | Voltage Input Range | PF % |
|---|---------------|-------|------|-------|-------------------|----------------------|--|--------|----------------|---------------------|------|
| LED 100 W EQUIVALENT BRACKET MOUNT LUMINAIRE | | | | | | | | | | | |
| 38 51 619 | Bracket Mount | MO | LED | 39 | III, FIG. 2 | 120V/208V/ 240V/277V | 3000 | 4,470 | 0.400 | ±5% | 99% |
| 38 51 641 | Bracket Mount | MO | LED | 39 | V, FIG. 3 | 120V/208V/ 240V/277V | 3000 | 4,470 | 0.400 | ±5% | 99% |
| 38 51 643 | Bracket Mount | IL | LED | 39 | III, FIG. 2 | 120V/208V/ 240V/277V | 3000 | 4,470 | 0.400 | ±5% | 99% |
| 38 51 644 | Bracket Mount | IL | LED | 39 | V, FIG. 3 | 120V/208V/ 240V/277V | 3000 | 4,470 | 0.400 | ±5% | 99% |

| REV | DATE | ENG | DESCRIPTION |
|-----|----------|-----|-------------------------|
| 12 | 10/01/23 | WYW | Converted To New Format |
| 11 | 9/01/17 | WYW | |



OUTDOOR LIGHTING

Luminaires Data

15 00 01 01

2 of 9

Table 1 - Standard Luminaires (Continued)

| Stock # | Style | State | Lamp | Watts | IES Light Pattern | Volts | Correlated Color Temp. (CCT) (Kelvin) | Lumens | Start/OP Amps | Voltage Input Range | PF % |
|--|---------------|-------|------|-------|-------------------|---------------------|---------------------------------------|--------|---------------|---------------------|------|
| LED 250 W EQUIVALENT BRACKET MOUNT LUMINAIRE | | | | | | | | | | | |
| 38 51 618 | Bracket Mount | MO | LED | 107 | III, FIG. 2 | 120V/208V/240V/277V | 3000 | 12,000 | 1.170 | ±5% | 99% |
| 38 51 617 | Bracket Mount | MO | LED | 107 | III, FIG. 2 | 480V | 3000 | 12,000 | 1.170 | ±5% | 99% |
| 38 51 645 | Bracket Mount | IL | LED | 107 | III, FIG. 2 | 120V/208V/240V/277V | 3000 | 12,000 | 1.170 | ±5% | 99% |
| 38 51 646 | Bracket Mount | IL | LED | 107 | III, FIG. 2 | 480V | 3000 | 12,000 | 1.170 | ±5% | 99% |
| LED 400 W EQUIVALENT BRACKET MOUNT LUMINAIRE | | | | | | | | | | | |
| 38 51 616 | Bracket Mount | MO | LED | 190 | III, FIG. 2 | 120V/208V/240V/277V | 3000/4000 | 22,000 | 1.600 | ±5% | 100% |
| 38 51 615 | Bracket Mount | MO | LED | 190 | III, FIG. 2 | 480V | 3000 | 22,000 | 1.600 | ±5% | 100% |
| 38 51 647 | Bracket Mount | IL | LED | 190 | III, FIG. 2 | 120V/208V/240V/277V | 3000 | 22,000 | 1.600 | ±5% | 100% |
| 38 51 648 | Bracket Mount | IL | LED | 190 | III, FIG. 2 | 480V | 3000 | 22,000 | 1.600 | ±5% | 100% |
| LED 250W EQUIVALENT DIRECTIONAL/FLOOD LUMINAIRE | | | | | | | | | | | |
| 38 51 626 | Directional | MO | LED | 91 | 6X6 | 120/208/240/277V | 4000 | 15,000 | 0.475 | ±10% | 90% |
| 38 51 625 | Directional | MO | LED | 91 | 6X6 | 480V | 4000 | 15,000 | 0.475 | ±10% | 90% |
| 38 51 649 | Directional | IL | LED | 91 | 6X6 | 120/208/240/277V | 3000 | 15,000 | 0.475 | ±10% | 90% |
| 38 51 650 | Directional | IL | LED | 91 | 6X6 | 480V | 3000 | 15,000 | 0.475 | ±10% | 90% |
| LED 400W EQUIVALENT DIRECTIONAL/FLOOD LUMINAIRE | | | | | | | | | | | |
| 38 51 624 | Directional | MO | LED | 124 | 6X6 | 120/208/240/277V | 4000 | 20,000 | 0.875 | ±10% | 90% |
| 38 51 627 | Directional | MO | LED | 124 | 6X6 | 480V | 4000 | 20,000 | 0.875 | ±10% | 90% |
| 38 51 651 | Directional | IL | LED | 124 | 6X6 | 120/208/240/277V | 3000 | 20,000 | 0.875 | ±10% | 90% |
| 38 51 652 | Directional | IL | LED | 124 | 6X6 | 480V | 3000 | 20,000 | 0.875 | ±10% | 90% |

| REV | DATE | ENG | DESCRIPTION |
|-----|----------|-----|-------------------------|
| 12 | 10/01/23 | WYW | Converted To New Format |
| 11 | 9/01/17 | WYW | |



OUTDOOR LIGHTING

Luminaires Data

15 00 01 01

3 of 9

Table 1 - Standard Luminaires (Continued)

| Stock # | Style | State | Lamp | Watts | IES Light Pattern | Volts | Correlated Color Temp. ¹ (CCT) (Kelvin) | Lumens | Start/ OP Amps | Voltage Input Range | PF % |
|---|-----------------------------|---------|------|-------|-------------------|------------------|--|--------|----------------|---------------------|------|
| LED 400W EQUIVALENT DIRECTIONAL/FLOOD LUMINAIRE (Continued) | | | | | | | | | | | |
| 38 51 628 | Directional | MO | LED | 248 | 6X6 | 120/208/240/277V | 4000 | 38,000 | 0.875 | ±10% | 90% |
| 38 51 653 | Directional | IL | LED | 248 | 6X6 | 120/208/240/277V | 3000 | 38,000 | 0.875 | ±10% | 90% |
| 38 51 669 | Directional | IL | LED | 248 | 6X6 | 480V | 3000 | 38,000 | 0.875 | ±10% | 90% |
| LED 100W EQUIVALENT RECTANGULAR/SHOEBOX LUMINAIRE | | | | | | | | | | | |
| 38 51 637 | Rectangular | IL | LED | 44 | III, FIG. 2 | 120/208/240/277V | 3000 | 4,600 | 0.475 | ±10% | 90% |
| LED 250W EQUIVALENT RECTANGULAR/SHOEBOX LUMINAIRE | | | | | | | | | | | |
| 38 51 640 | Rectangular | IL | LED | 136 | III, FIG. 2 | 120/208/240/277V | 3000 | 16,000 | 0.610 | ±10% | 90% |
| LED 400W EQUIVALENT RECTANGULAR/SHOEBOX LUMINAIRE | | | | | | | | | | | |
| 38 51 638 | Rectangular | IL | LED | 183 | III, FIG. 2 | 120/208/240/277V | 3000 | 21,300 | 0.610 | ±10% | 90% |
| 38 51 639 | Rectangular | IL | LED | 183 | III, FIG. 2 | 480V | 3000 | 21,300 | 0.610 | ±10% | 90% |
| HID DECORATIVE/POST TOP LUMINAIRE (No longer available for new installation) | | | | | | | | | | | |
| 38 01 517 | Early American | IL / MO | HPS | 100 | III, FIG. 2 | 120V | 1,900 | 9,500 | 3.2/2.1 | ±5% | 45% |
| 38 01 518 | Early American | IL / MO | HPS | 100 | V, FIG. 3 | 120V | 1,900 | 9,500 | 3.2/2.1 | ±5% | 45% |
| 38 01 942 | Early American | IL | MH | 175 | III, FIG. 2 | 120V | 4,100 | 14,400 | 1.0/1.75 | ±10% | 45% |
| 38 01 961 | Early American | IL | PMH | 150 | III, FIG. 2 | 120V | 4,100 | 12,900 | 1.0/1.75 | ±10% | 45% |
| 38 01 624 | Acorn | IL | HPS | 100 | V, FIG. 3 | 120V | 1,900 | 9,500 | 3.2/2.1 | ±5% | 45% |
| 38 01 625 | Acorn | IL | MH | 175 | V, FIG. 3 | 120V | 4,100 | 14,400 | 1.0/1.75 | ±10% | 45% |
| 38 01 960 | Acorn | IL | PMH | 150 | V, FIG. 3 | 120V | 4,100 | 12,900 | 1.9/0.9 | ±10% | 45% |
| 38 01 524 | Colonial | MO | HPS | 100 | III, FIG. 2 | 120V | 1,900 | 9,500 | 3.2/2.1 | ±5% | 45% |
| 38 01 525 | Colonial | MO | HPS | 100 | V, FIG. 3 | 120V | 1,900 | 9,500 | 3.2/2.1 | ±5% | 45% |
| 38 01 513 | Contemporary or Traditional | IL/MO | HPS | 100 | III, FIG. 2 | 120V | 1,900 | 9,500 | 3.2/2.1 | ±5% | 45% |
| 38 01 514 | Contemporary or Traditional | IL/MO | HPS | 100 | V, FIG. 3 | 120V | 1,900 | 9,500 | 3.2/2.1 | ±5% | 45% |
| 38 01 584 | Aspen | IL/MO | HPS | 100 | III, FIG. 2 | 120V | 1,900 | 9,500 | 3.2/2.1 | ±5% | 45% |
| 38 01 585 | Aspen | IL/MO | HPS | 100 | V, FIG. 3 | 120V | 1,900 | 9,500 | 3.2/2.1 | ±5% | 45% |

DISTRIBUTION CONSTRUCTION STANDARDS

| REV | DATE | ENG | DESCRIPTION |
|-----|----------|-----|-------------------------|
| 12 | 10/01/23 | WYW | Converted To New Format |
| 11 | 9/01/17 | WYW | |



OUTDOOR LIGHTING

Luminaires Data

15 00 01 01

4 of 9

Table 1 - Standard Luminaires (Continued)

| Stock # | Style | State | Lamp | Watts | IES Light Pattern | Volts | Correlated Color Temp. <1> (CCT) (Kelvin) | Lumens | Start/OP Amps | Voltage Input Range | PF % |
|--|-----------------------------|-------|------|-------|-------------------|------------------|---|--------|---------------|---------------------|------|
| LED 100W EQUIVALENT DECORATIVE/POST TOP LUMINAIRE | | | | | | | | | | | |
| 38 51 620 | Early American | MO/IL | LED | 46 | III, FIG. 2 | 120/208/240/277V | 3000 | 4,654 | 0.700 | ±10% | 88% |
| 38 51 622 | Early American | MO/IL | LED | 46 | V, FIG. 3 | 120/208/240/277V | 3000 | 4,913 | 0.700 | ±10% | 88% |
| 38 51 632 | Colonial | MO | LED | 44 | III, FIG. 2 | 120/208/240/277V | 3000 | 3,898 | 0.700 | ±10% | 88% |
| 38 51 631 | Colonial | MO | LED | 44 | V, FIG. 3 | 120/208/240/277V | 3000 | 4,282 | 0.700 | ±10% | 88% |
| 38 51 621 | Contemporary or Traditional | MO/IL | LED | 49 | III, FIG. 2 | 120/208/240/277V | 3000 | 4,654 | 0.350 | ±10% | 94% |
| 38 51 623 | Contemporary or Traditional | MO/IL | LED | 49 | V, FIG. 3 | 120/208/240/277V | 3000 | 4,913 | 0.350 | ±10% | 94% |
| 38 51 633 | Aspen | MO/IL | LED | 37 | III, FIG. 2 | 120/208/240/277V | 3000 | 6,676 | 1.000 | ±10% | 96% |
| 38 51 634 | Aspen | MO/IL | LED | 37 | V, FIG. 3 | 120/208/240/277V | 3000 | 6,654 | 1.000 | ±10% | 96% |
| 38 51 666 | Acorn | IL | LED | 50 | III, FIG. 3 | 120/208/240/277V | 3000 | 6,654 | 0.800 | ±10% | 96% |
| 38 51 665 | Acorn | IL | LED | 50 | V, FIG. 2 | 120/208/240/277V | 3000 | 6,676 | 0.800 | ±10% | 96% |

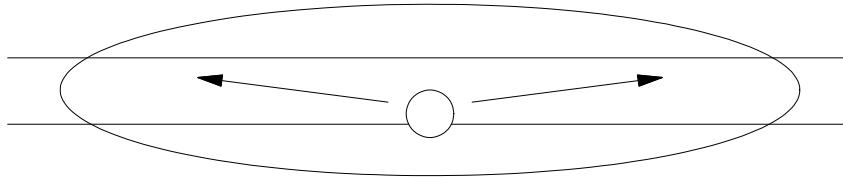
DESIGN NOTE(s):

1. Correlated Color Temperature (CCT) is the measure of light source color appearance in degrees Kelvin.

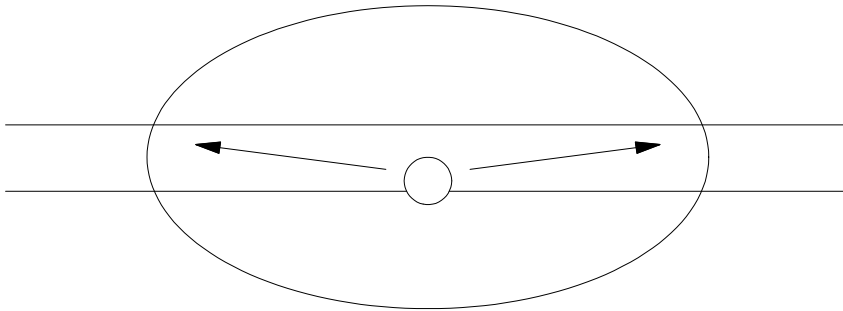
| REV | DATE | ENG | DESCRIPTION |
|-----|----------|-----|-------------------------|
| 12 | 10/01/23 | WYW | Converted To New Format |
| 11 | 9/01/17 | WYW | |

2. Lighting Distribution Patterns

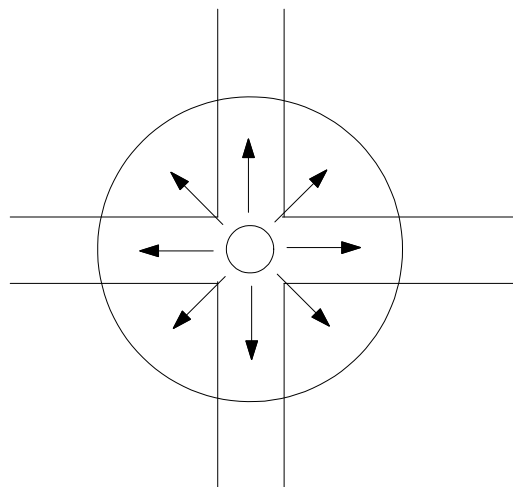
- A. Type II - generally applicable to luminaires located at or near the side of relatively narrow roadways. In addition, the width of the roadway does not exceed 1.75 times the designed mounting height. Type II lighting is suitable to wide walkways, as well as other long, narrow lighting



- B. Type III - asymmetric arrangement as well. The ratio between the width of the illumination area and the height of the pole should be less than 2.75. Type III lighting is suitable to the side of the area, allowing the light to project outward and fill the area.

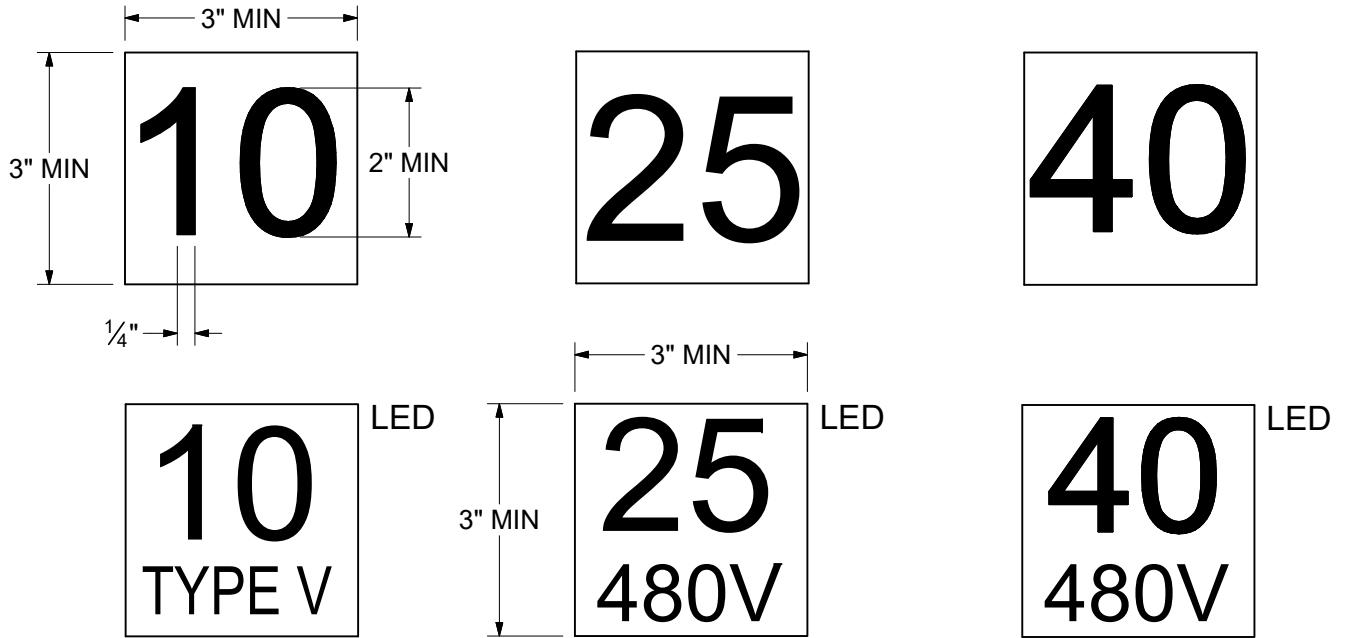


- C. Type V - a circular symmetry of candlepower distribution that is essentially the same at all lateral angles around the luminaire. Type V lighting intends for luminaire mounting at or near the center of roadways, center islands of the parkway, and intersections.



3. Identification

A. LED - All luminaires are shipped with the appropriate NEMA identification decal. If the decal is not installed it should be re-applied on the fixture so that it can be seen from the ground.

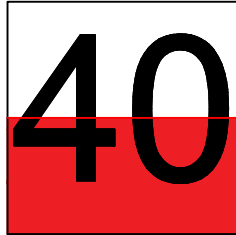


| Identification Code | Lamp Wattage and LED Equivalent | Background Color | Lamp Type |
|---------------------|---------------------------------|----------------------|--------------------------------|
| 10 | 100W | GOLD | HIGH PRESSURE SODIUM (HPS) |
| 15 | 150W | *HALF RED/HALF WHITE | PULSE-START METAL HALIDE (PMH) |
| 17 | 175W | BLUE | MERCURY VAPOR (MV) |
| 25 | 250W | RED | PROBE-START METAL HALIDE (MH) |
| 40 | 400W | GOLD | HIGH PRESSURE SODIUM (HPS) |
| X1 | 1000W | RED | PROBE-START METAL HALIDE (MH) |
| 10 | 100W EQV. | WHITE | LIGHT EMITTING DIODE (LED) |
| 10 TYPE V | 100W EQV. | WHITE | LIGHT EMITTING DIODE (LED) |
| 25 | 250W EQV. | WHITE | LIGHT EMITTING DIODE (LED) |
| 25 480V | 250W EQV. | WHITE | LIGHT EMITTING DIODE (LED) |
| 40 | 400W EQV. | WHITE | LIGHT EMITTING DIODE (LED) |
| 40 480V | 400W EQV. | WHITE | LIGHT EMITTING DIODE (LED) |
| X1 | 1000W EQV. | WHITE | LIGHT EMITTING DIODE (LED) |

B. Non LED - All luminaires will be labeled with wattage identification code. The horizontal burn identification is used for horizontal non-cutoff and directional flood luminaires. The vertical burn identification is used for post top luminaires.



PROBE START
METAL HALIDE



HORIZONTAL BURN
PULSE START
METAL HALIDE



VERTICAL BURN
PULSE START
METAL HALIDE

4. Luminaire Mounting Heights

Post top luminaires shall be mounted only on fiberglass poles purchased specifically for that purpose.

All other types of luminaires shall be mounted in accordance with the following table. The preferred height should be maintained whenever possible but the minimum heights may be used if this avoids a pole replacement. Mounting height is defined as the height from ground to the bottom of the refractor (glassware) on glass enclosed reflectors and to the bottom of the lamp on open type reflectors.

| Table 3 - Luminaire Monting Heights | | |
|---|-----------------------|----------------------------|
| Light Emitting Diode (LED) | Min. MTG. Height (ft) | Preferred MTG. Height (ft) |
| LED 100W Equivalent Post Top | 14 | 14 |
| LED 100W Equivalent Bracket Mount | 20 | 25 |
| LED 250W Equivalent Directional/Flood | | |
| LED 250W Equivalent Bracket Mount | 25 | 30 |
| LED 400W Equivalent Bracket Mount | 30 | 35 |
| LED 400W & 1000 W Equivalent Directional/Flood. | | |

5. Reference Chart

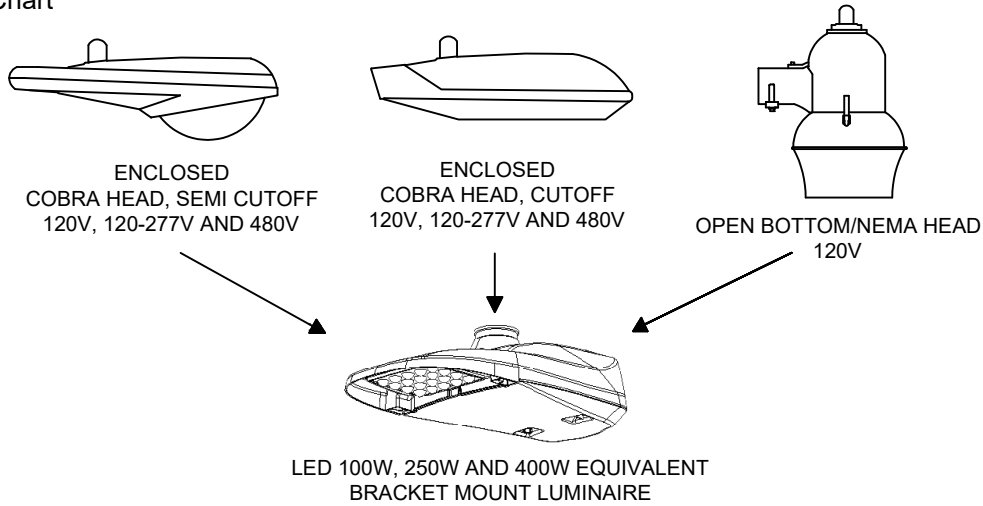


Table 4 - Luminaire Equivalent Wattages - Bracket Mount Luminaires - Missouri

| STOCK # | LUMINAIRE I.D. | LIGHT EMITTING DIODE (LED) | HID FIXTURE WATTAGE | | | VOLTAGE |
|-----------|----------------|----------------------------|---------------------|-------------------------------------|--------------------------|------------------|
| | | | MERCURY VAPOR (MV) | METAL HALIDE (MH) PULSE-START (PMH) | HIGH PRESS. SODIUM (HPS) | |
| 38 51 619 | 10 | 39W | 100/150/175/250W | 150W & 175W | 70W & 100W | 120/208/240/277V |
| 38 51 641 | 10 TYPE V | 39W | 100/150/175/250W | 150W & 175W | 70W & 100W | 120/208/240/277V |
| 38 51 618 | 25 | 140W | 400W | 250W | 250W | 120/208/240/277V |
| 38 51 617 | 25 480V | 140W | 400W | 250W | 250W | 480V |
| 38 51 616 | 40 | 195W | 1000W | 400W | 400W | 120/208/240/277V |
| 38 51 615 | 40 480V | 195W | 1000W | 400W | 400W | 480V |

Table 5 - Luminaire Equivalent Wattages - Directional/Flood Luminaires - Missouri

| STOCK # | LUMINAIRE I.D. | LIGHT EMITTING DIODE (LED) | HID FIXTURE WATTAGE | | | VOLTAGE |
|-----------|----------------|----------------------------|---------------------|-------------------------------------|--------------------------|------------------|
| | | | MERCURY VAPOR (MV) | METAL HALIDE (MH) PULSE-START (PMH) | HIGH PRESS. SODIUM (HPS) | |
| 38 51 626 | 10 | 91W | 400W | 250W & 400W $\diamond 2$ | 250W | 120/208/240/277V |
| 39 51 625 | 25 480V | 91W | 400W | 250W & 400W $\diamond 2$ | 250W | 480V |
| 40 51 624 | 40 | 124W | 1000W | - | 400W | 120/208/240/277V |
| 41 51 627 | 40 480V | 124W | 1000W | - | 400W | 480V |
| 42 51 628 | X1 | 248W | - | 1000W | 1000W | 120/208/240/277V |



OUTDOOR LIGHTING

Luminaires Data

15 00 01 01

9 of 9

DESIGN NOTE(s):

2. In Missouri only the 400W Pulse Start Halide (PMH) and probe start Metal Halide (MH) directional (flood) luminaires will be replaced with the LED 250 W equivalent luminaire.

| Table 6 - Luminaire Equivalent Wattages - Bracket Mount Luminaires - Illinois | | | | | | |
|---|----------------|----------------------------|---------------------|-------------------------------------|--------------------------|------------------|
| STOCK # | LUMINAIRE I.D. | LIGHT EMITTING DIODE (LED) | HID FIXTURE WATTAGE | | | VOLTAGE |
| | | | MERCURY VAPOR (MV) | METAL HALIDE (MH) PULSE-START (PMH) | HIGH PRESS. SODIUM (HPS) | |
| 38 51 643 | 10 | 39W | 100/150175/250W | 150W & 175W | 70W & 100W | 120/208/240/277V |
| 38 51 644 | 10 TYPE V | 39W | 100/150175/250W | 150W & 175W | 70W & 100W | 120/208/240/277V |
| 38 51 645 | 25 | 107W | 400W | 250W | 250W | 120/208/240/277V |
| 38 51 646 | 25 480V | 107W | 400W | 250W | 250W | 480V |
| 38 51 647 | 40 | 190W | 1000W | 400W | 400W | 120/208/240/277V |
| 38 51 648 | 40 480V | 190W | 1000W | 400W | 400W | 480V |

| Table 7 - Luminaire Equivalent Wattages - Directional/Flood Luminaires - Illinois | | | | | | |
|---|----------------|----------------------------|---------------------|-------------------------------------|--------------------------|------------------|
| STOCK # | LUMINAIRE I.D. | LIGHT EMITTING DIODE (LED) | HID FIXTURE WATTAGE | | | VOLTAGE |
| | | | MERCURY VAPOR (MV) | METAL HALIDE (MH) PULSE-START (PMH) | HIGH PRESS. SODIUM (HPS) | |
| 38 51 649 | 25 | 91W | 400W | 250W | 250W | 120/208/240/277V |
| 38 51 650 | 25 480V | 91W | 400W | 250W | 250W | 480V |
| 38 51 651 | 40 | 124W | 1000W | 400W | 400W | 120/208/240/277V |
| 38 51 652 | 40 480V | 124W | 1000W | 400W | 400W | 480V |
| 38 51 653 | X1 | 248W | - | 1000W | 1000W | 120/208/240/277V |
| 38 51 669 | X1 480V | 248W | - | 1000W | 1000W | 480V |

**DISTRIBUTION
CONSTRUCTION STANDARDS**

| REV | DATE | ENG | DESCRIPTION |
|-----|----------|-----|-------------------------|
| 12 | 10/01/23 | WYW | Converted To New Format |
| 11 | 9/01/17 | WYW | |

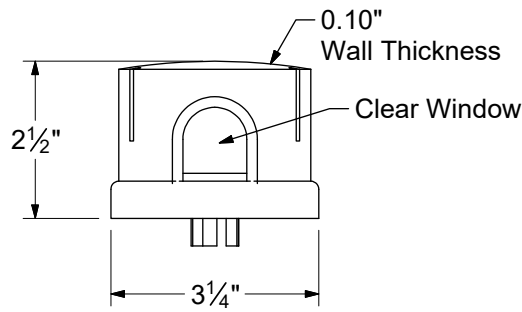


Figure 1
Heavy Duty
Long Life

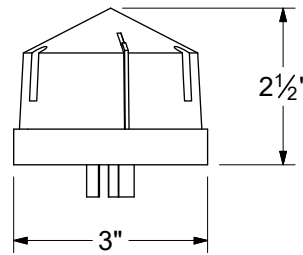


Figure 2
Standard Duty
Upward Looking

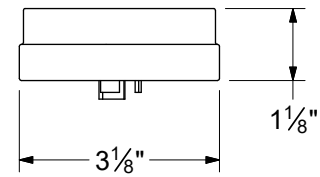


Figure 3
Shorting Cover

| Photocontrols | | | | | | | | |
|---------------|-----------|-------|----------|---|---------------|--------------------|-----------------------------------|------------------------|
| | Stock # | State | Voltage | Description | Housing Color | Window Orientation | Type | Housing Style Fig. No. |
| 1,3,4 | 38 24 630 | MO/IL | 120-277V | Photocell, 1000W; Fail on | Black | North | Heavy Duty (Long Life, 20+ Years) | Fig. 1 |
| 1,3,4 | 38 51 629 | MO/IL | 480V | Photocell, 1000W; Fail on | Yellow | North | Heavy Duty (Long Life, 20+ Years) | Fig. 1 |
| 2,3,4 | 54 14 312 | IL | 120V | Photocell, Upward Looking, 1000W; Fail on | Clear | Upward | Standard Duty (10+ Years) | Fig. 2 |
| | 38 01 394 | MO/IL | - | Plug, Shorting, Photoelectric Cell | - | - | Twistlock Receptacle | Fig. 3 |

DESIGN NOTE(s):

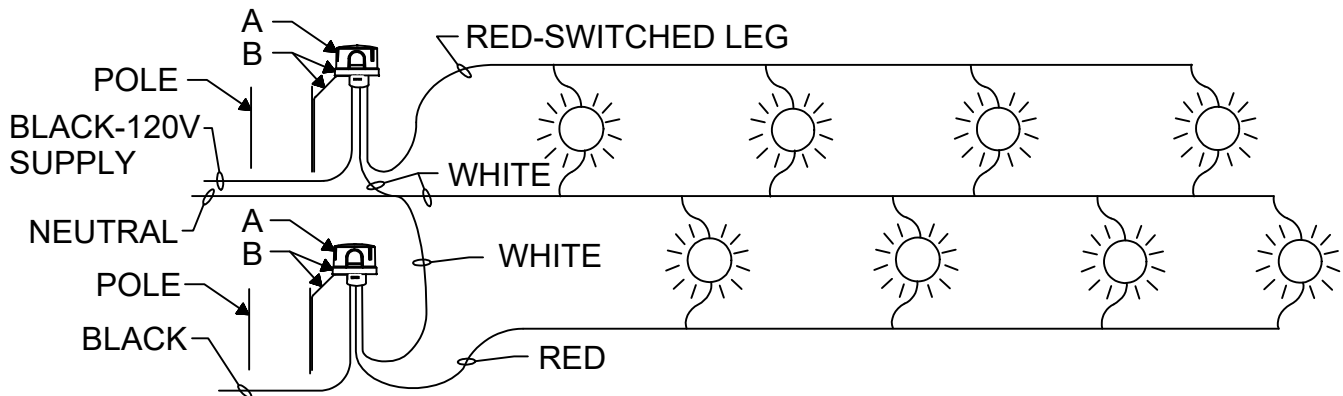
1. Long life-heavy duty photocell must be used with Light Emitting Diode (LED) luminaire.
2. Upward looking photocontrol to be used ONLY when necessary to prevent mis-operation due to a point source of ambient light entering the photocontrol window. May be needed in area with a large number of lights where the light from one luminaire causes another to turn off.
3. Photocontrol must have instantaneous turn on and 3-5 second turn off delay.
4. See Material Specification 2.1.298 for more information.

| REV | DATE | ENG | DESCRIPTION |
|-----|----------|-----|-------------------------|
| 3 | 10/01/23 | WYW | Converted to new format |
| 2 | 06/30/17 | ZSD | |

Periodically, light from one luminaire will activate the photocell and shut off another light. For these circumstances, when simply re-aiming the photocell does not resolve the problem, a remote photocell mounting bracket is used.

In some circumstances, it is beneficial to operate multiple luminaires from one control. For these circumstances, a remote photocell mounting bracket or relay is used.

In both of the above situations, the photocell on the luminaire is replaced with a shorting plug. The photocell is rated at 15A while the relay is rated at 30A. See DCS 15 00 01 01 for current draw information in order to determine how many luminaires can be controlled by either the photocell or the relay. If multiple luminaires are used on 3-wire, single phase circuits, care should be taken to balance the load between the two phases in order to have the lights operated at the same time.

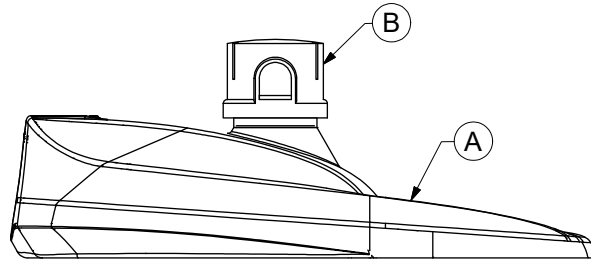


| ITEM | STK # | STATE | DESCRIPTION |
|------|-------|-----------|--|
| 1 | A | 38 51 630 | PHOTOCELL, 120-277V, 1000W FAIL ON, BLACK, NORTH ORIENTED |
| | | 38 01 394 | PLUG, SHORTING, PHOTOELECTRIC CELL |
| | B | 38 01 376 | PHOTOCELL BRACKET AND PHOTOCELL RECEPTACLE ASSEMBLY MOUNTING ON POLE OR CROSSARM W/RECEPTACLE |
| | | 38 01 275 | RELAY, 120V, 30A MULTIPLE STREETLIGHTS |

CONSTRUCTION NOTE(s):

- For more information on photocontrol see DCS 15 00 03 01.

| REV | DATE | ENG | DESCRIPTION |
|-----|----------|-----|--|
| 0 | 10/01/23 | WYW | New Standard, Moved from DCS 15 00 01 01 |



| DCS # | DESCRIPTION | STK # | STATE |
|-------------|--|-----------|-------|
| 15 70 13 01 | Luminaire, LED 100W EQ. 120-277V, Type III 3000K | 38 51 619 | MO |
| 15 70 13 02 | Luminaire, LED 100W EQ. 120-277V, Type V 3000K | 38 51 641 | MO |
| 15 70 13 03 | Luminaire, LED 250W EQ. 120-277V, Type III 3000K | 38 51 618 | MO |
| 15 70 13 04 | Luminaire, LED 250W EQ. 480V, Type III 3000K | 38 51 617 | MO |
| 15 70 13 05 | Luminaire, LED 400W EQ. 120-277V, Type III 3000K | 38 51 616 | MO |
| 15 70 13 06 | Luminaire, LED 400W EQ. 480V, Type III 3000K | 38 51 615 | MO |
| 15 70 13 07 | Luminaire, LED 100W EQ. 120-277V, Type III 3000K | 38 51 643 | IL |
| 15 70 13 08 | Luminaire, LED 100W EQ. 120-277V, Type V 3000K | 38 51 644 | IL |
| 15 70 13 09 | Luminaire, LED 250W EQ. 120-277V, Type III 3000K | 38 51 645 | IL |
| 15 70 13 10 | Luminaire, LED 250W EQ. 480V, Type III 3000K | 38 51 646 | IL |
| 15 70 13 11 | Luminaire, LED 400W EQ. 120-277V, Type III 3000K | 38 51 647 | IL |
| 15 70 13 12 | Luminaire, LED 400W EQ. 480V, Type III 3000K | 38 51 648 | IL |

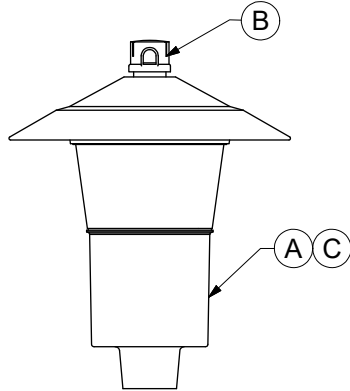
CONSTRUCTION NOTE(s):

- Order light shield if there is a complaint of light trespass. Stock #38 51 675 (block back and side light) and Stock #38 51 676 (block back light) are setup for the "J" series LED. The "J" series LED is labeled with additional identification decal "J" next to the wattage identification decal.
- Stock #38 51 635 and Stock #38 51 636 work only on the LED without identification decal "J"

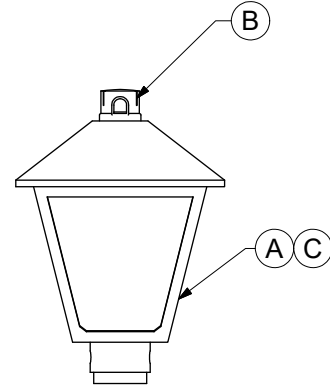
| | ITEM | STK / DCS # | DESCRIPTION | 15 70 13 ** | 01 | 02 | 03 | 04 | 05 | 06 | 07 | 08 | 09 | 10 | 11 | 12 |
|-------|------|-------------|--|-----------------------------|----|----|----|----|----|----|----|----|----|----|----|----|
| | | A | - | Luminaire - See chart above | | 1 | 1 | 1 | 1 | 1 | 1 | 1 | 1 | 1 | 1 | 1 |
| 1,2,@ | B | 38 51 629 | Photocell - 480V 1000W Heavy Duty | | - | - | - | 1 | - | 1 | - | - | - | 1 | - | 1 |
| | | 38 51 630 | Photocell - 120-277V 1000W Heavy Duty | | 1 | 1 | 1 | - | 1 | - | 1 | 1 | 1 | - | 1 | - |
| | C | 38 51 675 | Light Shield (J Series) - Back and Side (CUL DE SAC) | | 1 | 1 | 2 | 2 | 4 | 4 | 1 | 1 | 2 | 2 | 4 | 4 |
| | | 38 51 676 | Light Shield (J Series) - Back Side (House Side) | | 1 | 1 | 2 | 2 | 4 | 4 | 1 | 1 | 2 | 2 | 4 | 4 |
| | | 38 51 635 | Light Shield (G Series) - Back and Side (CUL DE SAC) | | 1 | 1 | 2 | 2 | 4 | 4 | 1 | 1 | 2 | 2 | 4 | 4 |
| | | 38 51 636 | Light Shield (G Series) - Back Side (House Side) | | 1 | 1 | 2 | 2 | 4 | 4 | 1 | 1 | 2 | 2 | 4 | 4 |

**DISTRIBUTION
CONSTRUCTION STANDARDS**

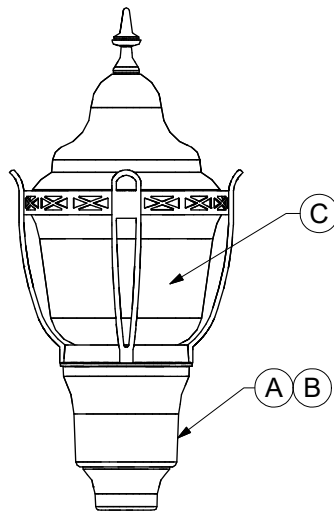
| REV | DATE | ENG | DESCRIPTION |
|-----|----------|-----|-------------------------|
| 4 | 10/01/23 | WYW | Converted to new format |
| 3 | 01/01/20 | WYW | |



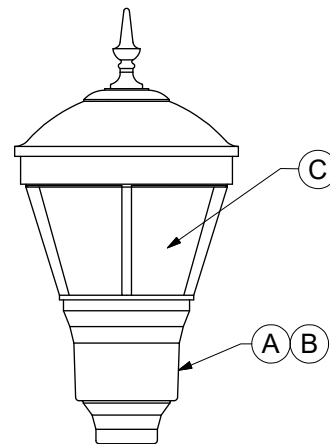
Colonial



Early American



Aspen



Contemporary

| DCS # | DESCRIPTION | STK # | STATE |
|-------------|-------------------------------------|-----------|-------|
| 15 70 14 01 | Colonial, 100W, HPS, Type III | 38 01 524 | MO |
| 15 70 14 02 | Colonial, 100W, HPS, Type V | 38 01 525 | MO |
| 15 70 14 03 | Early American, 100W, HPS, Type III | 38 01 517 | MO/IL |
| 15 70 14 04 | Early American, 100W, HPS, Type V | 38 01 518 | MO/IL |
| 15 70 14 05 | Contemporary, 100W, HPS, Type III | 38 01 513 | MO/IL |
| 15 70 14 06 | Contemporary, 100W, HPS, Type V | 38 01 514 | MO/IL |
| 15 70 14 07 | Aspen, 100W, HPS, Type III | 38 01 584 | MO/IL |
| 15 70 14 08 | Aspen, 100W, HPS, Type V | 38 01 585 | MO/IL |
| 15 70 14 09 | Early American, 150W, MH, Type III | 38 01 942 | IL |
| 15 70 14 10 | Early American, 150W, PMH, Type II | 38 01 961 | IL |



OUTDOOR LIGHTING

Luminaire Components
HID Decorative/Post Top

15 70 14 **

2 of 2

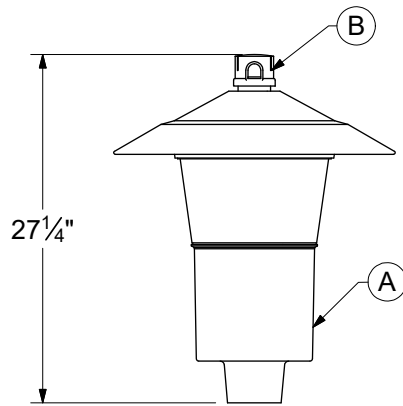
CONSTRUCTION NOTE(s):

1. Position luminaire to facilitate service from the street.
2. For Type III lights, align refractor with street side.
3. Face eye of photocontrol north.

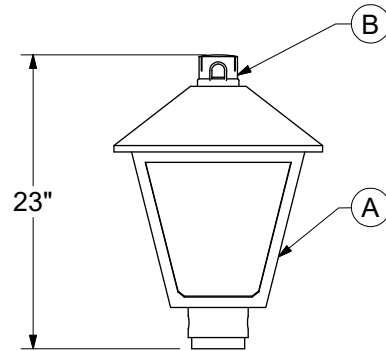
| ITEM | STK / DCS # | DESCRIPTION | 15 70 14 ** | 01 | 02 | 03 | 04 | 05 | 06 | 07 | 08 | 09 | 10 |
|------|-------------|---|-------------|----|----|----|----|----|----|----|----|----|----|
| A | 15 70 14 ** | Luminaire | | 1 | 1 | 1 | 1 | 1 | 1 | 1 | 1 | 1 | 1 |
| B | 38 51 630 | Photocell - 120V / 240V 1000W Heavy Duty | | 1 | 1 | 1 | 1 | 1 | 1 | 1 | 1 | 1 | 1 |
| C | 26 55 260 | Lamp, 100W, HPS | | 1 | 1 | 1 | 1 | 1 | 1 | 1 | 1 | - | - |
| | 26 56 260 | Lamp, 175W, MH | | - | - | - | - | - | - | - | - | 1 | - |
| | 26 05 087 | Lamp, 150W, PMH | | - | - | - | - | - | - | - | - | - | 1 |

**DISTRIBUTION
CONSTRUCTION STANDARDS**

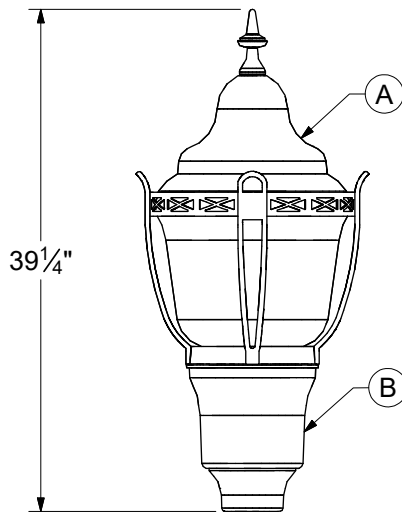
| REV | DATE | ENG | DESCRIPTION |
|-----|----------|-----|-------------------------|
| 4 | 10/01/23 | WYW | Converted to new format |
| 3 | 12/21/17 | WYW | |



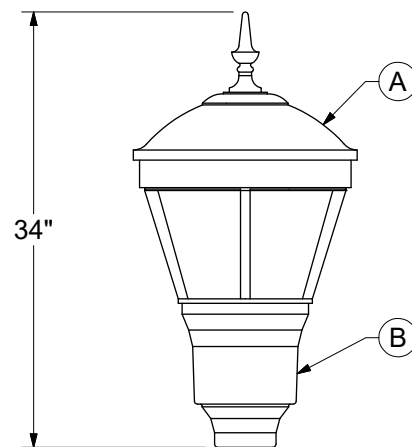
Colonial



Early American



Aspen



Contemporary

| DCS # | DESCRIPTION | STK # | STATE |
|-------------|--|-----------|-------|
| 15 70 15 01 | Early American, LED 100W Equiv., 120V-277V, Type III, 3000K | 38 51 620 | MO/IL |
| 15 70 15 02 | Early American, LED 100W Equiv., 120V-277V, Type V, 3000K | 38 51 622 | MO/IL |
| 15 70 15 03 | Colonial, LED 100W Equiv., 120V-277V, Type III, 3000K | 38 51 632 | MO |
| 15 70 15 04 | Colonial, LED 100W Equiv., 120V-277V, Type V, 3000K | 38 51 631 | MO |
| 15 70 15 05 | Contemporary or Traditional, LED 100W Equiv., 120V-277V, Type III, 3000K | 38 51 621 | MO/IL |
| 15 70 15 06 | Contemporary or Traditional, LED 100W Equiv., 120V-277V, Type V, 3000K | 38 51 623 | MO/IL |
| 15 70 15 07 | Aspen, LED 100W Equiv., 120V-277V, Type III, 3000K | 38 51 633 | MO/IL |
| 15 70 15 08 | Aspen, LED 100W Equiv., 120V-277V, Type V, 3000K | 38 51 634 | MO/IL |



OUTDOOR LIGHTING

Luminaire Components
LED Decorative/Post Top

15 70 15 **

2 of 2

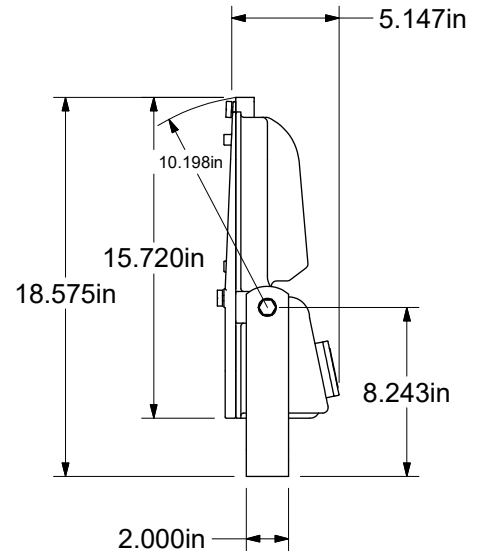
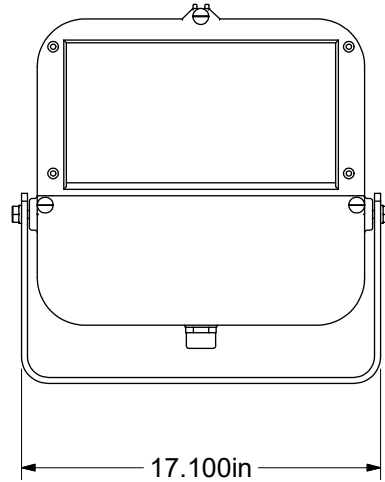
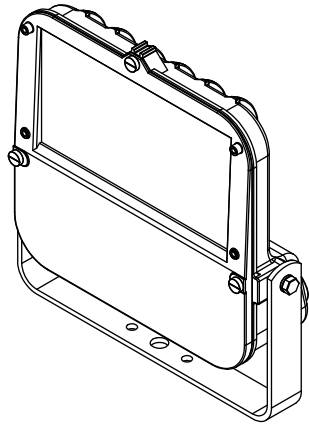
CONSTRUCTION NOTE(S):

1. Align distribution light pattern Type III refractor with street side.
2. Face the eye of the photocell to the north.

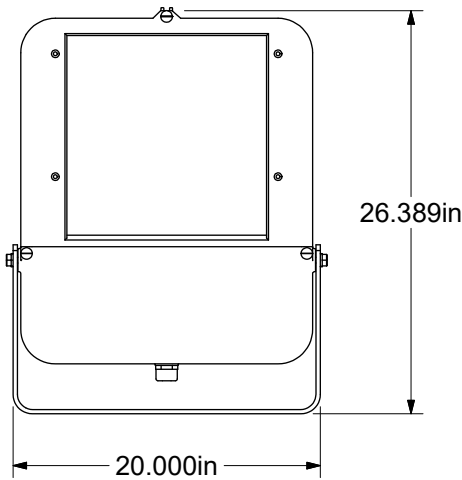
| | ITEM | STK / DCS # | STATE | DESCRIPTION | 15 70 15 ** | 01 | 02 | 03 | 04 | 05 | 06 | 07 | 08 | |
|---|------|-------------|-------|--|-------------|----|----|----|----|----|----|----|----|---|
| 1 | A | 38 51 620 | MO/IL | EARLY AMERICAN, LED 100W EQUIV., 120V-277V, TYPE III, 3000K | | 1 | - | - | - | - | - | - | - | |
| | | 38 51 622 | MO/IL | EARLY AMERICAN, LED 100W EQUIV., 120V-277V, TYPE V, 3000K | | - | 1 | - | - | - | - | - | - | |
| | | 38 51 632 | MO | COLONIAL, LED 100W EQUIVALENT, 120V-277V, TYPE III, 3000K | | - | - | 1 | - | - | - | - | - | |
| | | 38 51 631 | MO | COLONIAL, LED 100W EQUIVALENT, 120V-277V, TYPE V, 3000K | | - | - | - | 1 | - | - | - | - | |
| | | 38 51 621 | MO/IL | CONTEMPORARY OR TRADITIONAL, LED 100W EQUIV., 120V-277V, TYPE III, 3000K | | - | - | - | - | 1 | - | - | - | |
| | | 38 51 623 | MO/IL | CONTEMPORARY OR TRADITIONAL, LED 100W EQUIV., 120V-277V, TYPE V, 3000K | | - | - | - | - | - | 1 | - | - | |
| | | 38 51 633 | MO/IL | ASPEN, LED 100W EQUIVALENT, 120V-277V, TYPE III, 3000K | | 1 | - | - | - | - | - | - | 1 | - |
| | | 38 51 634 | MO/IL | ASPEN, LED 100W EQUIVALENT, 120V-277V, TYPE V, 3000K | | - | - | - | - | - | - | - | - | 1 |
| 2 | B | 38 51 630 | MO/IL | PHOTOCONTROL / SWITCH, LOAD RATING 1000W, 120-277V, BLACK | | 1 | 1 | 1 | 1 | 1 | 1 | 1 | 1 | |

**DISTRIBUTION
CONSTRUCTION STANDARDS**

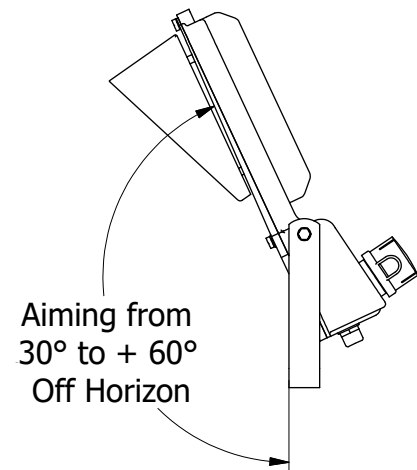
| REV | DATE | ENG | DESCRIPTION |
|-----|----------|-----|-------------------------|
| 2 | 10/01/23 | WYW | Converted to new format |
| 1 | 09/29/17 | WYW | |



LED 250W & 400W Equivalent



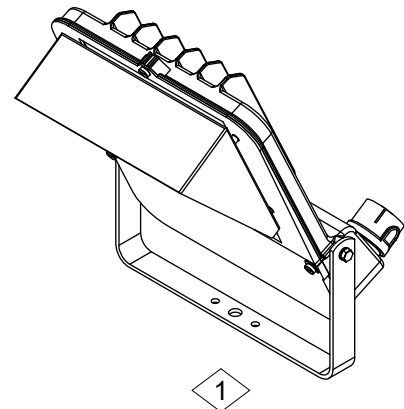
LED 1000W Equivalent



Trunnion Mount

| DCS # | Ameren MO |
|-------------|---------------------------|
| 15 70 17 01 | LED 250W Equiv, 120-277V |
| 15 70 17 02 | LED 250W Equiv, 480V |
| 15 70 17 03 | LED 400W Equiv, 120-277V |
| 15 70 17 04 | LED 400W Equiv, 480V |
| 15 70 17 05 | LED 1000W Equiv, 120-277V |

| DCS # | Ameren IL |
|-------------|---------------------------|
| 15 70 17 06 | LED 250W Equiv, 120-277V |
| 15 70 17 07 | LED 250W Equiv, 480V |
| 15 70 17 08 | LED 400W Equiv, 120-277V |
| 15 70 17 09 | LED 400W Equiv, 480V |
| 15 70 17 10 | LED 1000W Equiv, 120-277V |
| 15 70 17 11 | LED 1000W Equiv, 480V |





OUTDOOR LIGHTING

Luminaire Components
LED Directional/Flood

15 70 17 **

2 of 2

CONSTRUCTION NOTE(s):

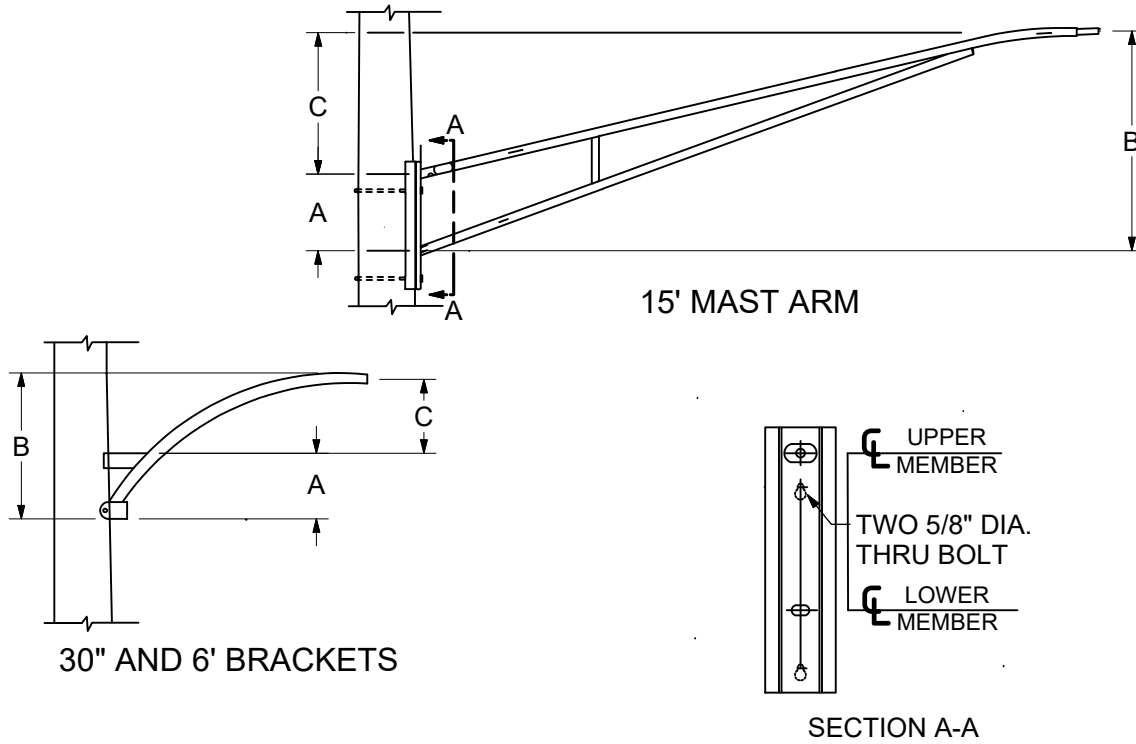
1. Light shield is needed based on request.

| | ITEM | STK / DCS # | DESCRIPTION | 01 | 02 | 03 | 04 | 05 |
|-----|------|-------------|---|----|----|----|----|----|
| A | | 38 51 626 | LUMINAIRE, LED 400W EQUIVALENT, 120V-277V, 6X6, 4000K CCT | 1 | - | - | - | - |
| | | 38 51 625 | LUMINAIRE, LED 250W EQUIVALENT, 480V, 6X6, 4000K CCT | - | 1 | - | - | - |
| | | 38 51 624 | LUMINAIRE, LED 400W EQUIVALENT, 120V-277V, 6X6, 4000K CCT | - | - | 1 | - | - |
| | | 38 51 627 | LUMINAIRE, LED 400W EQUIVALENT, 480V, 6X6, 4000K CCT | - | - | - | 1 | - |
| | | 38 51 628 | LUMINAIRE, LED 1000W EQUIVALENT, 120V-277V, 6X6, 4000K CCT | | - | - | - | 1 |
| B | | 38 51 630 | PHOTOCONTROL / SWITCH, LOAD RATING 1000W, 120V-277V, BLACK | 1 | - | 1 | - | 1 |
| | | 38 51 629 | PHOTOCONTROL / SWITCH, LOAD RATING 1000W, 480V, YELLOW | - | 1 | - | 1 | - |
| @ C | | 38 51 656 | Light Shield GE 1000W LED EQUV | - | - | - | - | 1 |
| | | 38 51 657 | Light Shield WORKS ONLY ON GE EFM Model 250W or 400W LED EQUV | 1 | 1 | 1 | 1 | - |

| | ITEM | STK / DCS # | DESCRIPTION | 06 | 07 | 08 | 09 | 10 | 11 |
|-----|------|-------------|---|----|----|----|----|----|----|
| A | | 38 51 649 | LUMINAIRE, LED 250W EQUIVALENT, 120V-277V, 6X6, 3000K CCT | 1 | - | - | - | - | - |
| | | 38 51 650 | LUMINAIRE, LED 250W EQUIVALENT, 480V, 6X6, 3000K CCT | - | 1 | - | - | - | - |
| | | 38 51 651 | LUMINAIRE, LED 400W EQUIVALENT, 120V-277V, 6X6, 3000K CCT | - | - | 1 | - | - | - |
| | | 38 51 652 | LUMINAIRE, LED 400W EQUIVALENT, 480V, 6X6, 3000K CCT | - | - | - | 1 | - | - |
| | | 38 51 653 | LUMINAIRE, LED 1000W EQUIVALENT, 120-277V, 6X6, 3000K CCT | - | - | - | - | 1 | - |
| | | 38 51 669 | LUMINAIRE, LED 1000W EQUIVALENT, 480V, 6x6, 3000K CCT | - | - | - | - | - | 1 |
| B | | 38 51 630 | PHOTOCONTROL / SWITCH, LOAD RATING 1000W, 120V-277V, BLACK | 1 | - | 1 | - | 1 | - |
| | | 38 51 629 | PHOTOCONTROL / SWITCH, LOAD RATING 1000W, 480V, YELLOW | - | 1 | - | 1 | - | 1 |
| @ C | | 38 51 656 | Light Shield GE 1000W LED EQUV | - | - | - | - | 1 | 1 |
| | | 38 51 657 | Light Shield WORKS ONLY ON GE EFM Model 250W or 400W LED EQUV | 1 | 1 | 1 | 1 | - | - |

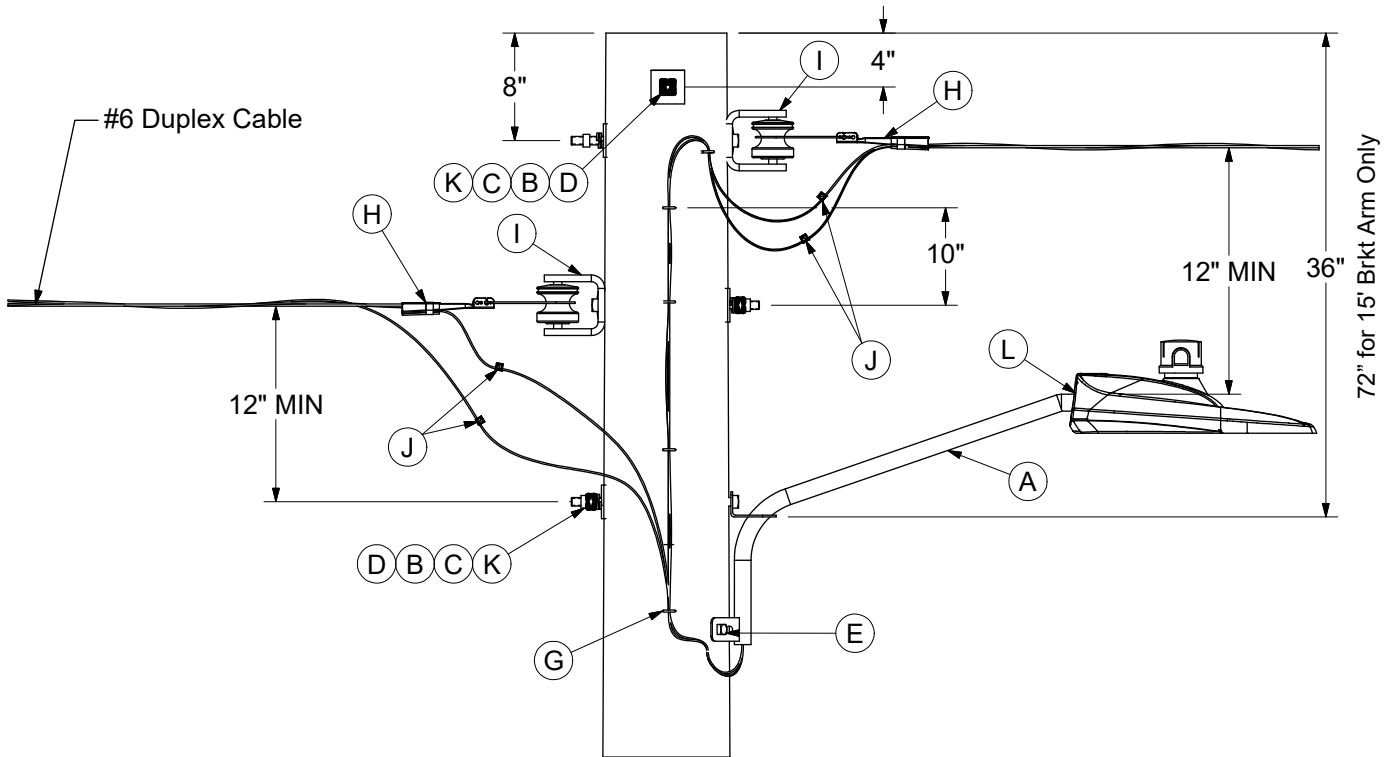
**DISTRIBUTION
CONSTRUCTION STANDARDS**

| REV | DATE | ENG | DESCRIPTION |
|-----|----------|-----|-------------------------|
| 3 | 10/01/23 | WYW | Converted To New Format |
| 2 | 01/01/20 | WYW | |



| Bracket and Mast Arm Length/Dimintions | | | |
|--|-----|-----|-----|
| BRACKET LENGTH | A | B | C |
| 30" | 11" | 18" | 7" |
| 6' | 11" | 30" | 19" |
| 15' | 21" | 60" | 39" |

| Stock# | Description |
|-----------|-----------------------------------|
| 38 01 417 | Bracket, St. Lt., 1-1/4" x 30" |
| 38 01 249 | Bracket, St. Lt., 1-1/4" x 6'-0" |
| 38 01 705 | Bracket, St. Lt., 1-1/4" x 15'-0" |



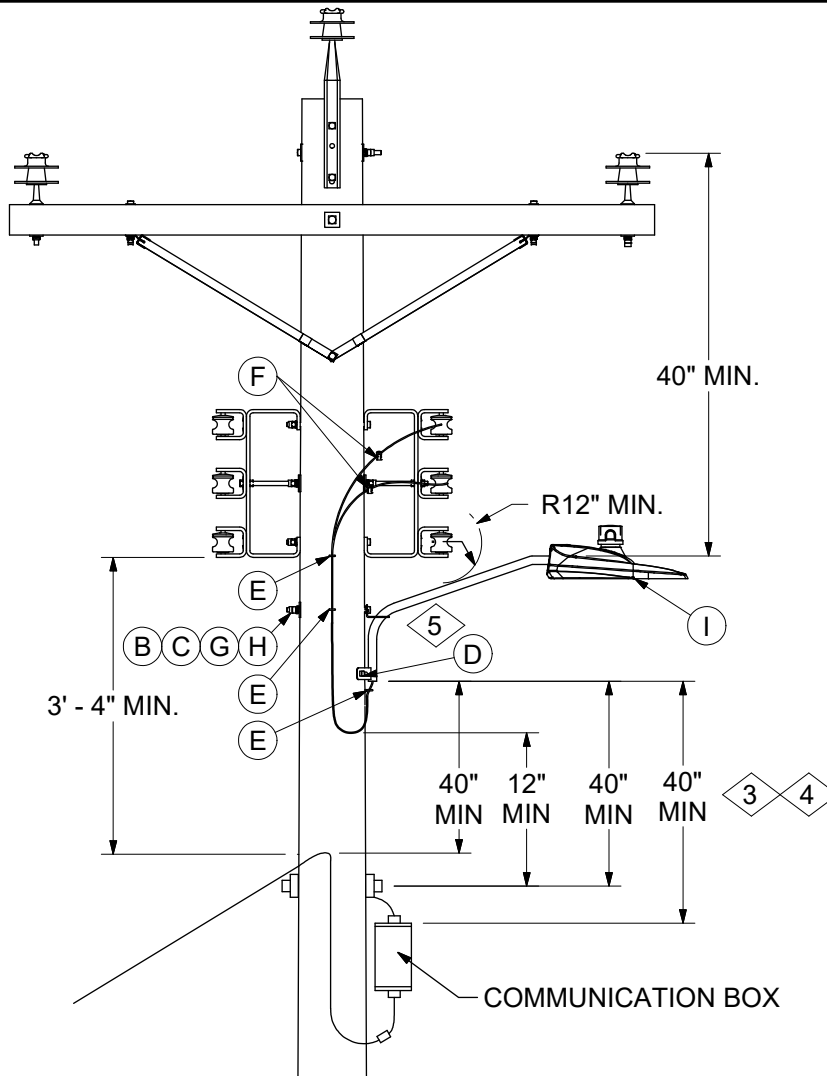
| DCS # | DESCRIPTION |
|-------------|--------------------|
| 15 74 01 01 | 1-1/4" x 30" Brkt. |
| 15 74 01 02 | 1-1/4" x 6' Brkt. |
| 15 74 01 03 | 1-1/4" x 15' Brkt. |

CONSTRUCTION NOTE(S):

- For Composite Poles, it is preferred to use the fiberglass street light pole bracket (Stock #38 01 556 for 6' or Stock #38 01 746 for 8') as shown in DCS **15 74 09 ****. Transferring an existing wood pole street light bracket is acceptable. If the existing bracket is transferred, drill a pilot hole and use Stock #23 60 007 (1/2" lag) or Stock #23 60 005 (3/8" lag). Depending on pole size, additional washers may be required (Stock #23 66 017 for 1/2" lags or Stock #23 66 016 for 3/8" lags).

| ITEM | STK / DCS # | DESCRIPTION | 15 74 01 ** | 01 | 02 | 03 |
|------|-------------|-------------|---|----|----|----|
| 1 | A | 38 01 417 | Streetlight Bracket, 30" x 1-1/4" | 1 | - | - |
| | | 38 01 249 | Streetlight Bracket, 6' x 1-1/4" | - | 1 | - |
| | | 38 01 705 | Streetlight Bracket, 15" x 1-1/4" | - | - | 1 |
| | B | 23 52 065 | Bolt, Mach., 5/8" x 12" w/ square nut | 2 | 2 | 3 |
| | C | 23 66 207 | Washer, Curved, Square, 5/8" | 2 | 2 | 2 |
| | D | 23 66 134 | Lock Washer, 5/8" Double Coil | 2 | 2 | 3 |
| | E | 23 60 007 | Lag Screw, 1/2" x 4" | 2 | 2 | - |
| | F | 18 57 104 | Cable, 2#10 Cu, Poly | 6 | 12 | 22 |
| | G | 23 64 001 | Staple, 3/8" x 1-3/4" C.W. | 3 | 3 | 3 |
| | H | 17 51 123 | Clamp, DE, #6 AWG Duplex or #2 AWG Triplex | 1 | 1 | 1 |
| | I | 06 01 01 01 | Single Clevis | 1 | 1 | 1 |
| | J | 17 54 382 | Connector, Split Bolt with Spacer, #2 AWG Main/#10 AWG Cu Tap | 2 | 2 | 2 |
| | K | 23 65 043 | Lock Nut, 5/8" Square | 2 | 2 | 3 |
| @ | L | 15 70 13 ** | St. Lt. Assembly | 1 | 1 | 1 |

| REV | DATE | ENG | DESCRIPTION |
|-----|----------|-----|----------------------------------|
| 9 | 10/01/23 | WYW | Updated, Converted To New Format |
| 8 | 04/27/16 | WYW | |



| DCS # | DESCRIPTION |
|-------------|--------------------|
| 15 74 02 01 | 1-1/4" x 30" Brkt. |
| 15 74 02 02 | 1-1/4" x 6' Brkt. |
| 15 74 02 04 | 1-1/4" x 15' Brkt. |

CONSTRUCTION NOTES(s):

1. Refer to DCS **15 70 18 01** for selecting a street light bracket.

2. Face eye of photocell north.

3. If street light bracket is grounded, the vertical spacing between the bracket and communication attachments can be reduced to 20". However, street light brackets may be grounded **ONLY IF**:

A. When adding a light to a pole where none previously exists, there is no space available to install the light with the 40" bracket to communications attachment spacing without replacing the pole, or

B. When replacing a pole with an existing light on it, there is no space available to install the light with the 40" bracket to communications attachment clearance and installing a taller pole would create uplift on adjacent poles.

| REV | DATE | ENG | DESCRIPTION |
|-----|----------|-----|-------------------------|
| 8 | 10/01/23 | WYW | Converted To New Format |
| 7 | 04/01/19 | WYW | |



OUTDOOR LIGHTING

Installation On Wood Pole Above Communications

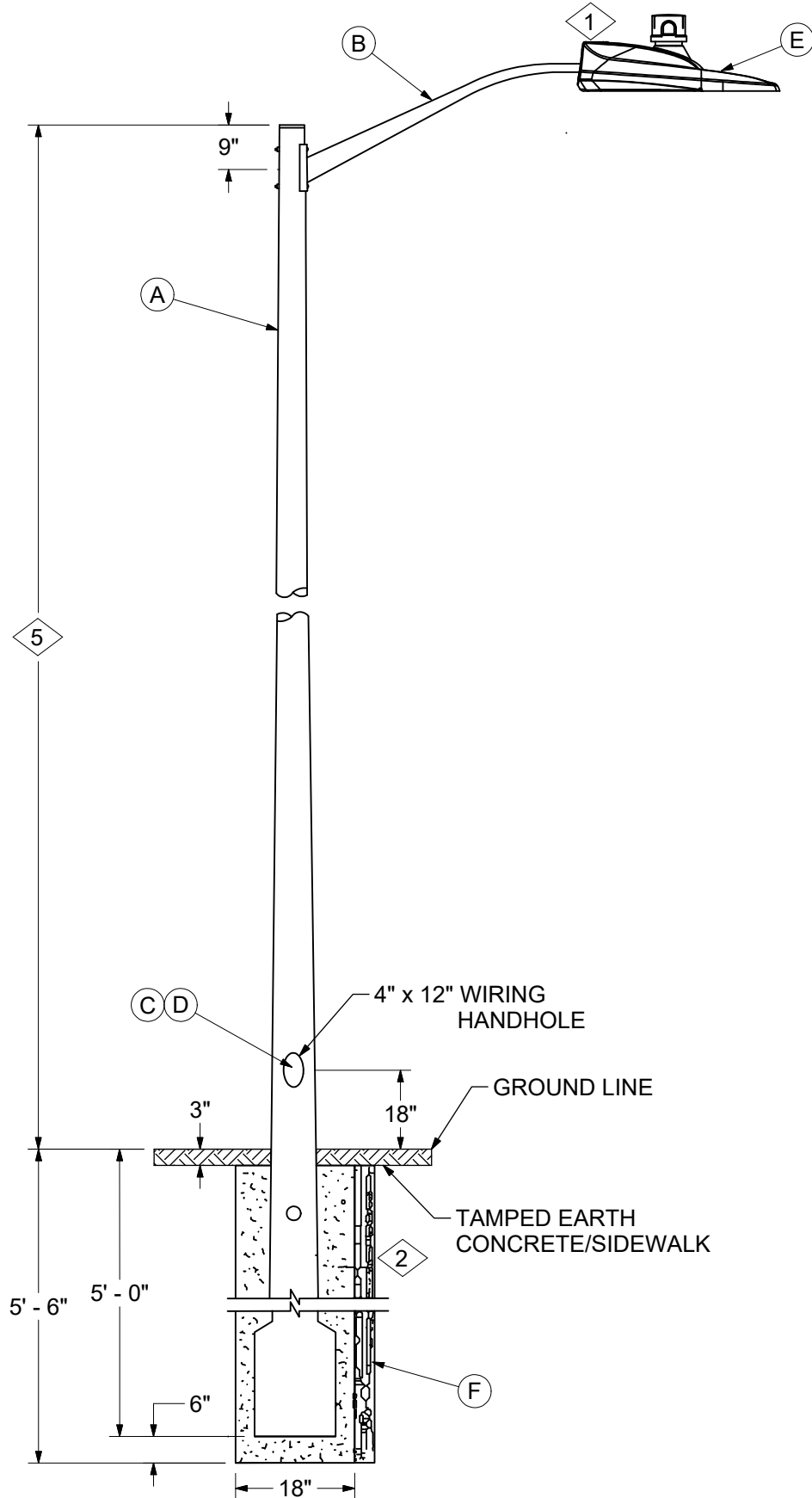
15 74 02 **

2 of 2

4. The 40" bracket to communications attachment clearance applies to all new lighting installations, all new communication attachments where lighting already exists, AND ON ALL POLES REPLACED FOR ANY REASON THAT HAVE EXISTING LIGHTING AND COMMUNICATION ATTACHMENTS. This is per NESC Rules 13A1 and 13B2 Exception 2.
5. If the light bracket needs to be grounded but the bracket is without ground provision, the ground clamp, Stock #40 59 318 needs to be ordered. Bracket may be grounded either by bonding to pole ground if present or to the system neutral.
6. For Composite Poles, it is preferred to use the fiberglass street light pole bracket (Stock #38 01 556 for 6' or Stock #38 01 746 for 8') as shown in DCS **15 74 09 ****. Transferring an existing wood pole street light bracket is acceptable. If the existing bracket is transferred, drill a pilot hole and use Stock #23 60 007 (1/2" lag) or Stock #23 60 005 (3/8" lag). Depending on pole size, additional washers maybe required (Stock #23 66 017 for 1/2" lags or Stock #23 66 016 for 3/8" lags).

| | ITEM | STK / DCS # | DESCRIPTION | 15 74 02 ** | 01 | 02 | 04 |
|---|------|--------------------|---|-------------|----|----|----|
| 6 | A | 38 01 417 | Streetlight Bracket, 30" x 1-1/4" | | 1 | - | - |
| | | 38 01 249 | Streetlight Bracket, 6' x 1-1/4" | | - | 1 | - |
| | | 38 01 705 | Streetlight Bracket, 15' x 1-1/4" | | - | - | 1 |
| | B | 23 52 065 | Bolt, Mach., 5/8" x 12" w/ square nut | | 1 | 1 | 2 |
| | C | 23 66 207 | Washer, Curved, Square 5/8" | | 1 | 1 | 2 |
| | D | 23 60 007 | Lag Screw - 1/2"x4" | | 2 | 2 | - |
| | E | 23 64 001 | Staple, 3/8" x 1-3/4" C.W. | | 3 | 3 | 3 |
| | F | 17 54 382 | Connector, Split, #2-#6AWG AL Main/#14 AWG Cu Tap | | 2 | 2 | 2 |
| | G | 23 66 134 | Lock Washer - 5/8" Double Coil | | 1 | 1 | 2 |
| | H | 23 65 043 | Lock Nut - 5/8" Square | | 1 | 1 | 2 |
| @ | I | 15 70 13 ** | St. Lt. Assembly | | 1 | 1 | 1 |

| REV | DATE | ENG | DESCRIPTION |
|-----|----------|-----|-------------------------|
| 8 | 10/01/23 | WYW | Converted To New Format |
| 7 | 04/01/19 | WYW | |



DISTRIBUTION CONSTRUCTION STANDARDS

| REV | DATE | ENG | DESCRIPTION |
|-----|----------|-----|-------------------------|
| 5 | 10/01/23 | WYW | Converted To New Format |
| 4 | 01/21/10 | WYW | |



OUTDOOR LIGHTING

Fiberglass Pole 30' and Above – UG Circuit

| DCS # | DESCRIPTION |
|-------------|-----------------------------|
| 15 74 09 01 | 30' Fiberglass Pole - Gray |
| 15 74 09 02 | 35' Fiberglass Pole - Gray |
| 15 74 09 03 | 30' Fiberglass Pole - Black |
| 15 74 09 04 | 35' Fiberglass Pole - Black |
| 15 74 09 05 | 35' Fiberglass Pole - Gray |
| 15 74 09 06 | 40' Fiberglass Pole - Gray |

CONSTRUCTION NOTE(s):

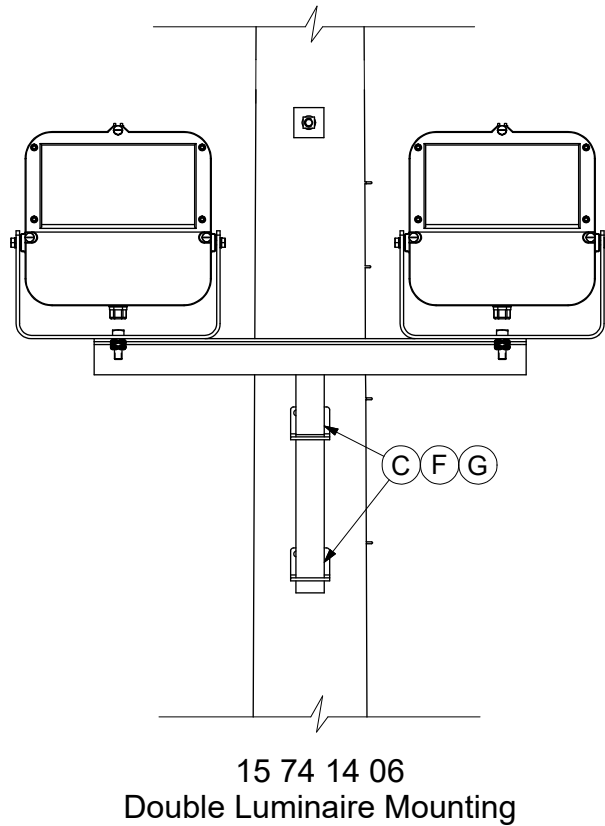
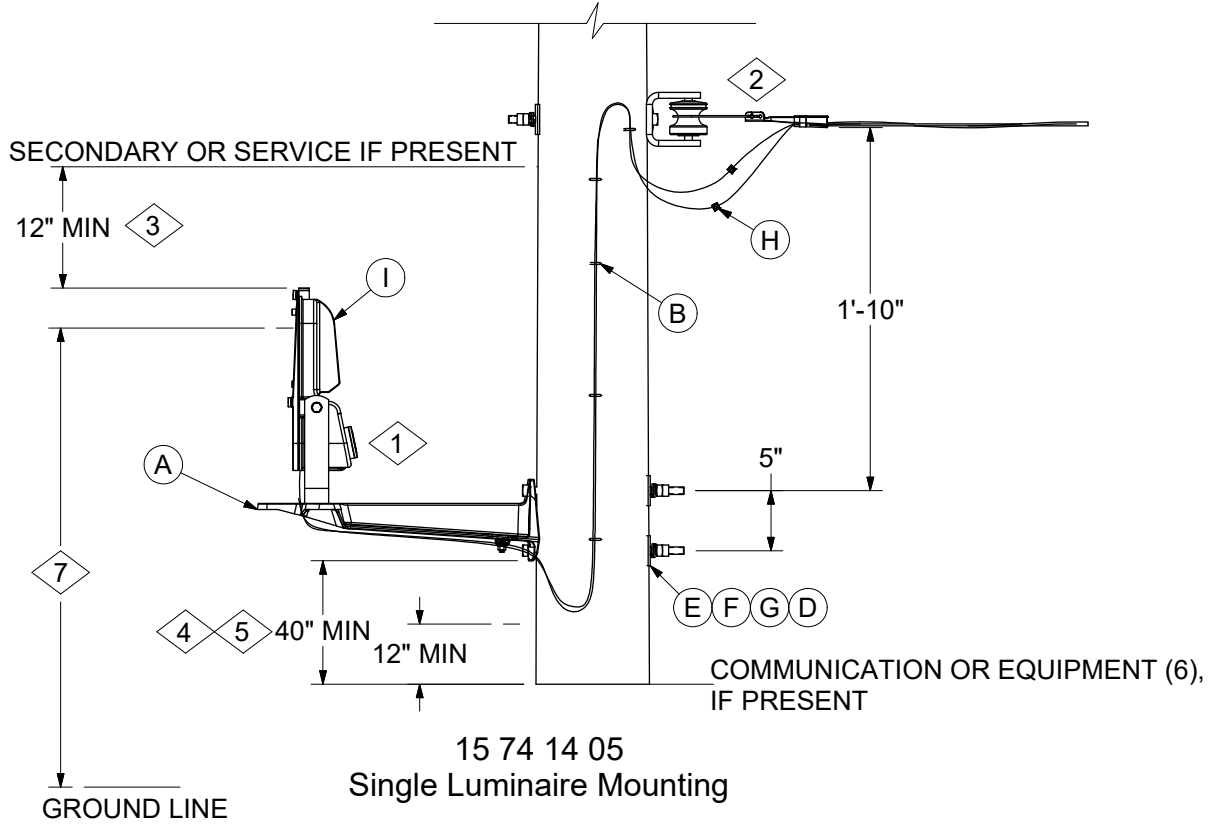
1. Face photocontrol north.
2. Rock or native soil backfill must be tamped to provide solid compaction around the pole. Refer to DCS **02 20 05 **** for backfill.
3. OK to install second bracket at 180° if required.
4. For MO only.
5. Mounting height reference:

| Luminaire Mounting Height | | |
|---------------------------|---------------------|--|
| Stock # FG Poles | Pole Height (ft) | Luminaire Height - The Distance from the center of the lamp to the road surface (Mounted on 6 ft Bracket) |
| 38 01 555 | 30 | 26'-3" |
| 38 01 554 | 35 | 31'-3" |
| 38 01 916 | 33 | 28'-3" |
| 38 01 917 | 38 | 33'-3" |
| 38 01 970 | 30 | 26'-3" |
| 38 01 967 | 35 | 31'-3" |

| | ITEM | STK / DCS # | DESCRIPTION | 15 74 09 ** | 01 | 02 | 03 | 04 | 05 | 06 |
|---|------|--------------------|--|-------------|----|----|----|----|----|----|
| 4 | A | 38 01 555 | Pole, St. Lt., Fiberglass, 30', Gray | | 1 | - | - | - | - | - |
| | | 38 01 554 | Pole, St. Lt., Fiberglass, 35', Gray | | - | 1 | - | - | - | - |
| | | 38 01 916 | Pole, St. Lt., FG 33' Height, Heavy Duty, Gray | | - | 1 | - | - | 1 | - |
| | | 38 01 917 | Pole, St. Lt., FG 38' Height, Heavy Duty, Gray | | - | 1 | - | - | - | 1 |
| | | 38 01 970 | Pole, St. Lt., Fiberglass, 30', Black | | - | - | 1 | - | - | - |
| | | 38 01 967 | Pole, St. Lt., Fiberglass, 35', Black | | - | - | - | 1 | - | - |
| 4 | B | 38 01 556 | Bracket, AL. 6' | | 1 | 1 | - | - | - | - |
| | | 38 01 746 | Bracket, AL. 8' | | - | - | - | - | 1 | 1 |
| | | 38 01 968 | Bracket, AL. Black, 6' | | - | - | 1 | 1 | - | - |
| | C | 18 57 104 | Cable, St. Lt., #10-2 Cu, Black/White Covered (ft) | | 40 | 45 | 40 | 45 | 40 | 45 |
| | D | 17 01 116 | Connector, Bolted/Set Screw #14-2/0, 3-Position, Rated for Al & Cu | | 2 | 2 | 2 | 2 | 2 | 2 |
| @ | E | 15 70 13 ** | Street Light Luminaire and Photocontrol | | 1 | 1 | 1 | 1 | 1 | 1 |
| @ | F | 02 20 05 ** | Back Fill | | # | # | # | # | # | # |

**DISTRIBUTION
CONSTRUCTION STANDARDS**

| REV | DATE | ENG | DESCRIPTION |
|-----|----------|-----|-------------------------|
| 5 | 10/01/23 | WYW | Converted To New Format |
| 4 | 01/21/10 | WYW | |



| REV | DATE | ENG | DESCRIPTION |
|-----|----------|-----|-------------------------|
| 12 | 10/01/23 | WYW | Converted To New Format |
| 11 | 05/29/18 | WYW | |

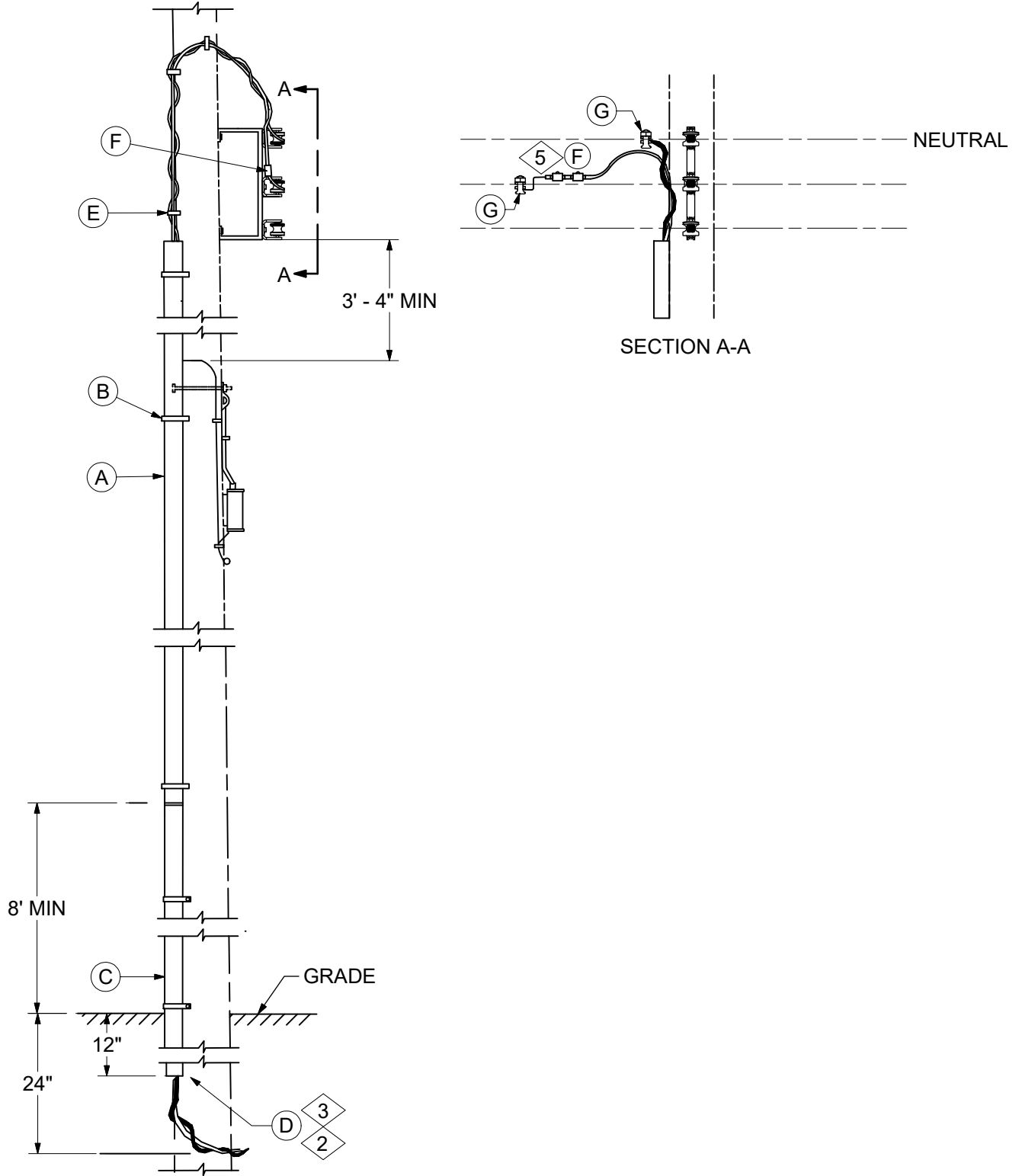


CONSTRUCTION NOTE(s):

1. Face photocontrol north, but multiple luminaires at the same location, adjust photocell socket to face control away from nearby light sources.
2. Connect the phase and neutral correctly to the terminal inside of the luminaires.
3. Increase this dimension by 4" if open service wires extend directly out over photocell.
4. If street light bracket is grounded, the vertical spacing between the bracket and communication attachments can be reduced to 20". However, street light brackets may be grounded ONLY IF:
 - A. When adding a light to a pole where none previously exists, there is no space available to install the light with the 40" bracket to communications attachment spacing without replacing the pole, or
 - B. When replacing a pole with an existing light on it, there is no space available to install the light with the 40" bracket to communications attachment clearance and installing a taller pole would create up lift on adjacent poles.
5. The 40" bracket to communications attachment clearance applies to all new lighting installations, all new communication attachments where lighting already exists, AND ON ALL POLES REPLACED FOR ANY REASON THAT HAVE EXISTING LIGHTING AND COMMUNICATION ATTACHMENTS. This is per NESC Rules 13A1 and 13B2 Exception 2.
6. Equipment means non-current carrying metal parts of equipment, including metal supports for cables or conductors metal support braces that are attached to metal supports or are less than 1 inch from transformer cases or hangers that are not effectively grounded, and metal or nonmetallic supports or braces associated with communication cables or conductors. Antennas, photovoltaic panels, power supplies, loading coils, etc., shall also be considered equipment for the purpose of measuring clearances under this rule.
7. For minimum mounting height, refer to DCS **15 00 01 01**

| | ITEM | STK / DCS # | DESCRIPTION | 15 74 14 ** | 05 | 06 |
|---|------|--------------------|---|-------------|----|----|
| | A | 38 01 683 | Bracket, Floodlight, 18" | | 1 | - |
| | B | 23 64 001 | Staple, 3/8" x 1-3/4" C.W. | | 6 | 5 |
| | C | 38 01 726 | Bracket - Double Flood Mounting | | - | 1 |
| | D | 23 52 066 | Bolt, Mach., 5/8" x 14" w/ square nut | | 2 | 2 |
| | E | 23 66 207 | Washer, Curved, Square, 5/8" | | 2 | 2 |
| | F | 23 66 134 | Lock Washer - 5/8" Double Coil | | 2 | 2 |
| | G | 23 65 043 | Lock Nut - 5/8" Square | | 2 | 2 |
| | H | 17 54 382 | Connector, Split Bolt with Spacer, 2# AWG Main / #10 AWG Cu Tap | | 2 | 2 |
| @ | I | 15 70 17 ** | Luminaire, Directional Flood | | 1 | 2 |

| REV | DATE | ENG | DESCRIPTION |
|-----|----------|-----|-------------------------|
| 12 | 10/01/23 | WYW | Converted To New Format |
| 11 | 05/29/18 | WYW | |



| REV | DATE | ENG | DESCRIPTION |
|-----|----------|-----|-------------------------|
| 5 | 10/01/23 | WYW | Converted to New Format |
| 4 | 03/12/07 | WYW | |



OUTDOOR LIGHTING

Riser For Direct Buried Circuit

CONSTRUCTION NOTE(s):

1. If the customer furnishes the cable, it must be approved by the National Electric Code for direct burial and exposure to sunlight. The customer cable should extend to the base of the pole or to a point designated by Ameren (normally 2'-0" inside the customer's property line). The customer must provide enough cable to allow the connections to be made on the pole.

2. It is recommended that direct buried cable be installed in conduit under driveways and parking areas.

3. Drive the lag screw into the pole so that the schedule 80 conduit will rest on the head; thus preventing the conduit from sliding down.

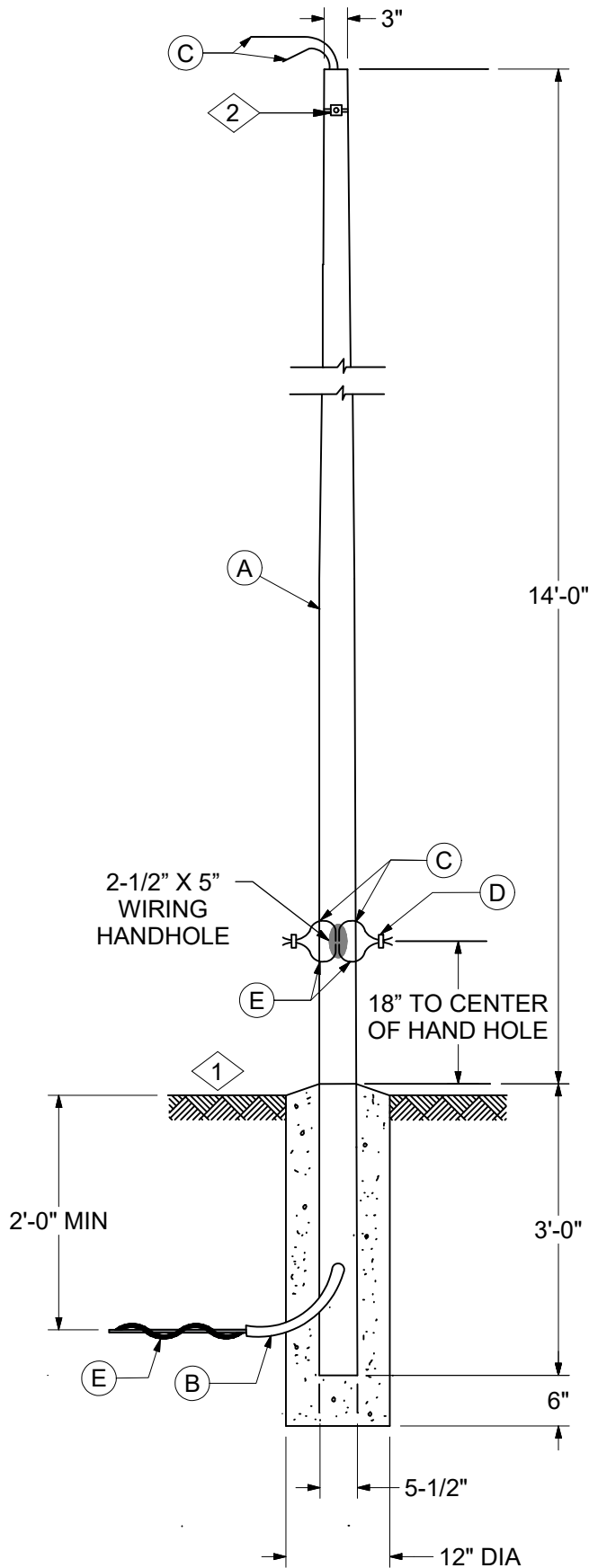
4. If triplex cable is used, two fuses are required. Additional fuse sizes are available:

| Fuses | |
|-----------|-------------|
| STK # | DESCRIPTION |
| 20 76 138 | 15 AMP |
| 20 76 142 | 60 AMP |
| 20 76 143 | 100 AMP |

5. Install the fuse parallel to the wire so that the spring-loaded indicator can flip open to show that the fuse has blown.

| | ITEM | STK / DCS # | DESCRIPTION | 15 74 50 ** | 01 |
|-----|------|--------------------|------------------------------------|-------------|----|
| | A | 12 01 178 | Conduit - Plastic, 2" (ft) | | 15 |
| | B | 27 60 035 | Iron - Hanger (ft) | | 10 |
| | C | 12 01 275 | Conduit - Plastic, Sch 80, 2" (ft) | | 10 |
| 3 | D | 23 60 007 | Screw - Lag, 1/2" x 4" | | 1 |
| | E | 23 64 027 | Staple, 5/8" x 2" | | 1 |
| 4,5 | F | 20 76 139 | Fuse - Secondary, 30 Amp | | 1 |
| @ | G | 07 00 25 00 | Clamp, Parallel Groove | | 3 |
| | - | 278 | Op Code, Install Cable Up Pole | | 1 |

| REV | DATE | ENG | DESCRIPTION |
|-----|----------|-----|-------------------------|
| 5 | 10/01/23 | WYW | Converted to New Format |
| 4 | 03/12/07 | WYW | |



| REV | DATE | ENG | DESCRIPTION |
|-----|----------|-----|-------------------------|
| 9 | 10/01/23 | WYW | Converted To New Format |
| 8 | 01/21/10 | WYW | |



OUTDOOR LIGHTING
Decorative / Post Top
Fiberglass Pole - 14' Mounting Height

CONSTRUCTION NOTE(s)

1. 1. Rock or native soil backfill must be tamped to provide solid compaction around the pole. Refer to DCS **02 20 05 **** for backfill

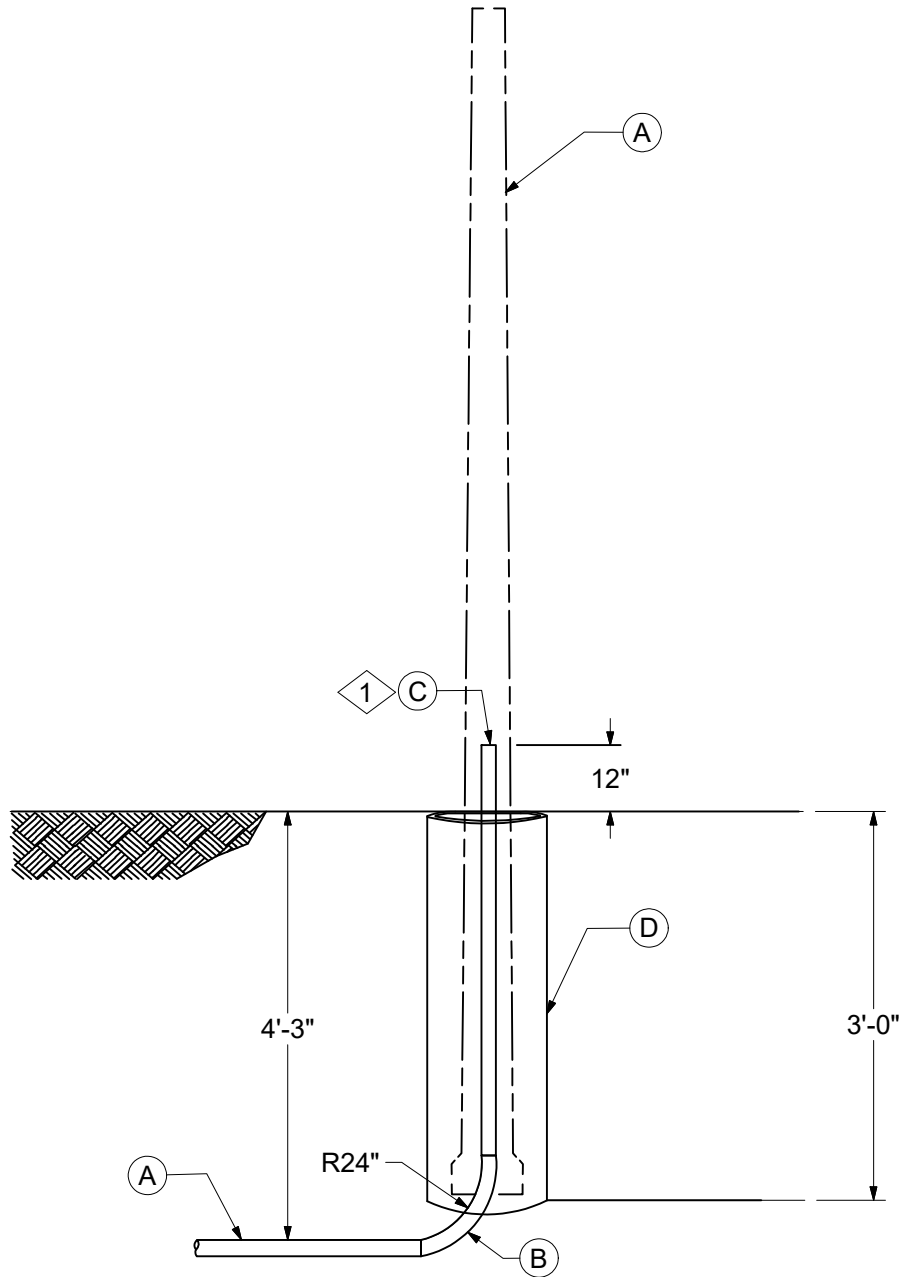
2. 2. Generally, only one tag per street light shall be installed. If more than one street light installed on the same pole, one tag per street light is required, and each tag should be installed on the same quadrant of the light. The tag should be installed visibly from the ground level but not reachable from public. See DCS **15 90 01 01** for more details.

3. In Missouri residential developments, the contractor will install 1–1/2 inch conduit to the pole site. Ameren will install the pole and the cable.

4. For fused underground streetlight cable at pad mount transformer or pedestal, refer to DCS **52 00 01 ****.

| | ITEM | STK / DCS # | DESCRIPTION | 15 75 05 ** | 01 |
|---|------|-------------|---|-------------|----|
| | A | 38 01 526 | Pole, F/G, Black, 17' w / hand hole | | 1 |
| | B | 12 51 148 | Conduit, Poly, 1" | | 2 |
| | C | 18 57 104 | Cable, 2#10, Cu, Poly | | 17 |
| | D | 17 01 116 | Connector, Bolt/Set Screw, #14–2/0, 3Pos. | | 2 |
| @ | E | 18 07 252 | Cable, Duplex, #6 Al | | # |

| REV | DATE | ENG | DESCRIPTION |
|-----|----------|-----|-------------------------|
| 9 | 10/01/23 | WYW | Converted To New Format |
| 8 | 01/21/10 | WYW | |



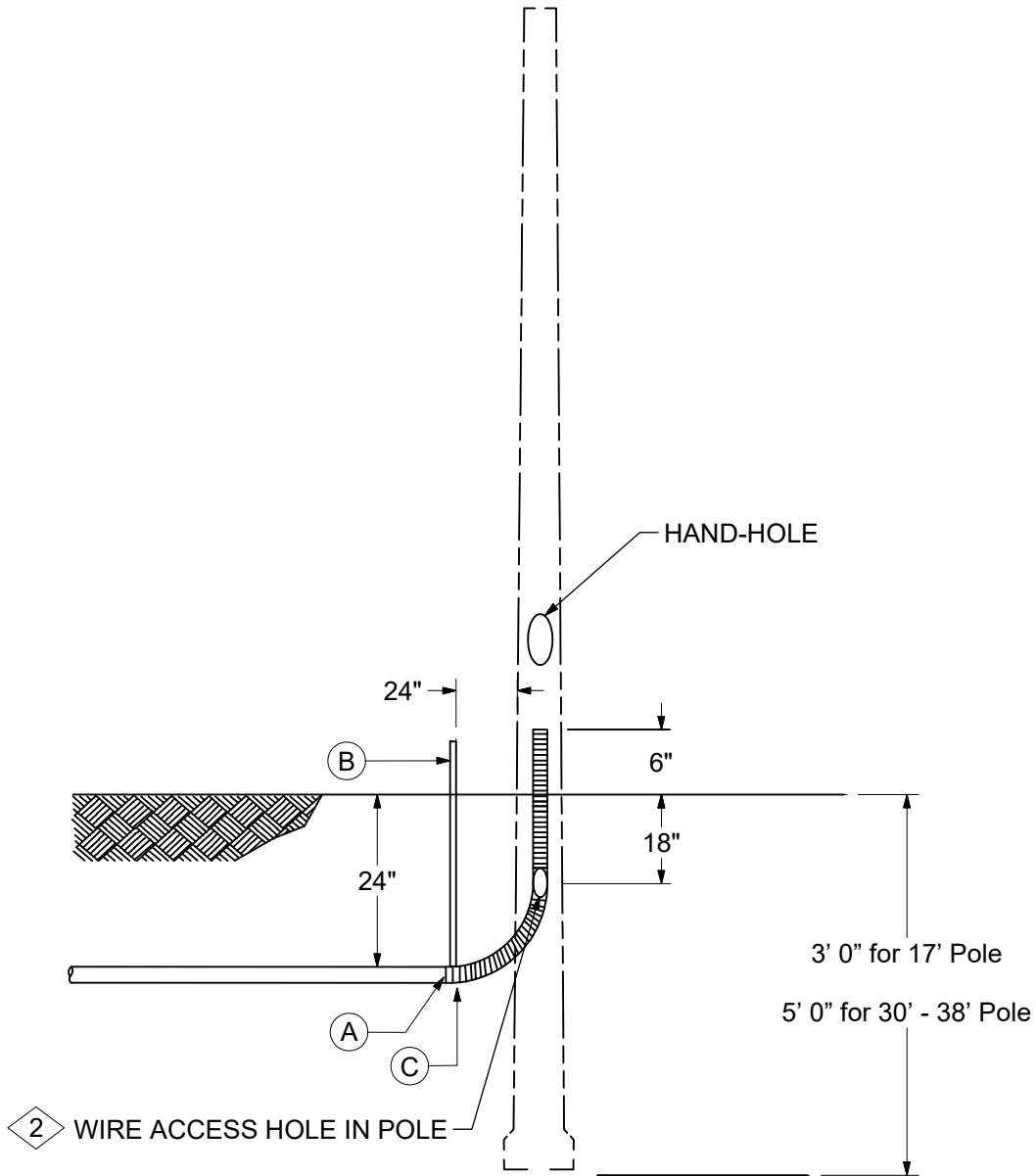
CONSTRUCTION NOTE(s):

1. Seal exposed tube and conduit with plug and tape.
2. Conduit must be centered in tube and both conduit and tube must be plumb before backfilling, Refer to DCS **02 20 05**** for backfill.

| ITEM | STK / DCS # | DESCRIPTION | 15 75 05 ** | 02 |
|------|-------------|---|-------------|----|
| A | 12 01 298 | Conduit - Plastic, PVC, Sch. 40, 1-1/2" X 20' w Coupling | | # |
| B | 12 51 331 | Bend - Plastic, 1-1/2", 24" Rad. | | 1 |
| C | 12 51 330 | Plug - Conduit, Plastic, 1-1/2" | | 1 |
| D | - | Pipe - Plastic Culvert, 18" I.D., 3ft (Customer Provided) | | 1 |

**DISTRIBUTION
CONSTRUCTION STANDARDS**

| REV | DATE | ENG | DESCRIPTION |
|-----|----------|-----|--|
| 2 | 10/01/23 | WYW | Moved from Conduit SPEC 3A-Conduit Enter from Bottom of Pole |
| 1 | 08/17/10 | WYW | |

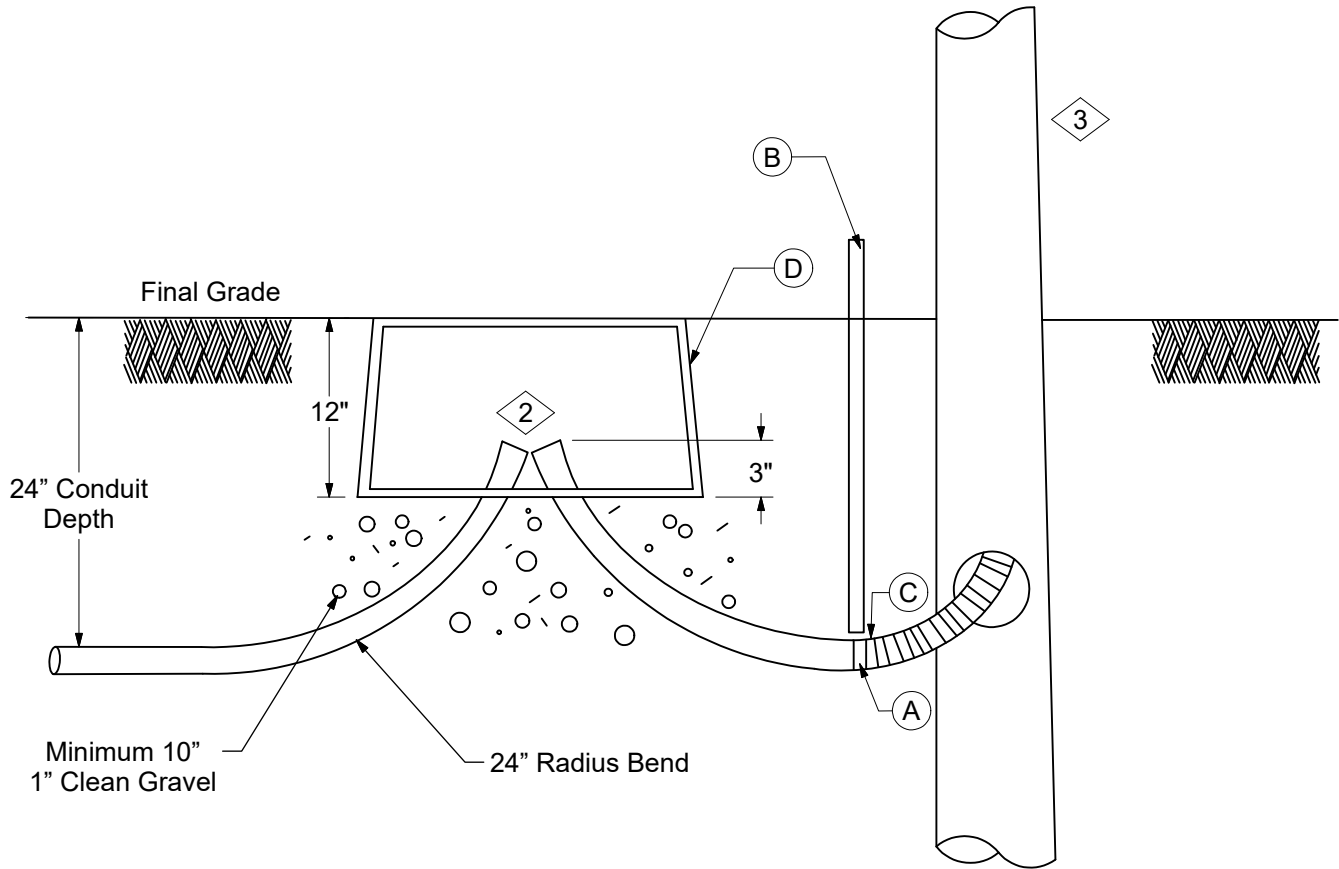


CONSTRUCTION NOTE(s):

1. Material installed by contractor.
- ② Remove grommet and enlarge hole.

| ITEM | STK / DCS # | DESCRIPTION | 15 75 05 ** | 03 |
|------|-------------|------------------------------|-------------|----|
| A | 12 51 330 | Plug - Conduit 1-1/2" | | 1 |
| B | 49 55 520 | Marker - Buried Conduit | | 1 |
| C | 12 51 329 | Conduit Reducer 2" to 1-1/2" | | 1 |

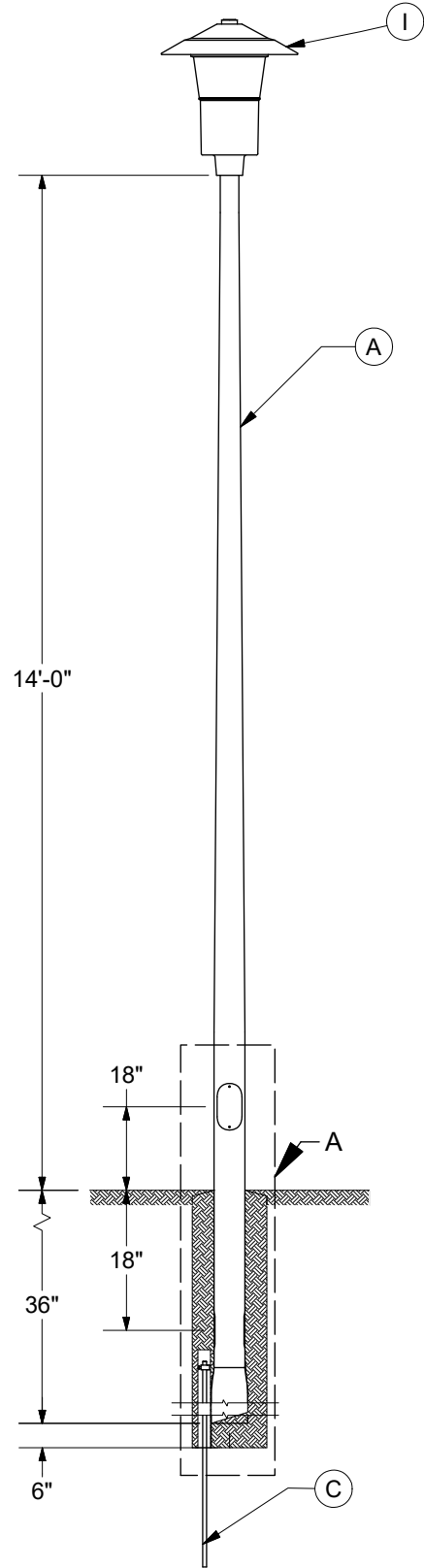
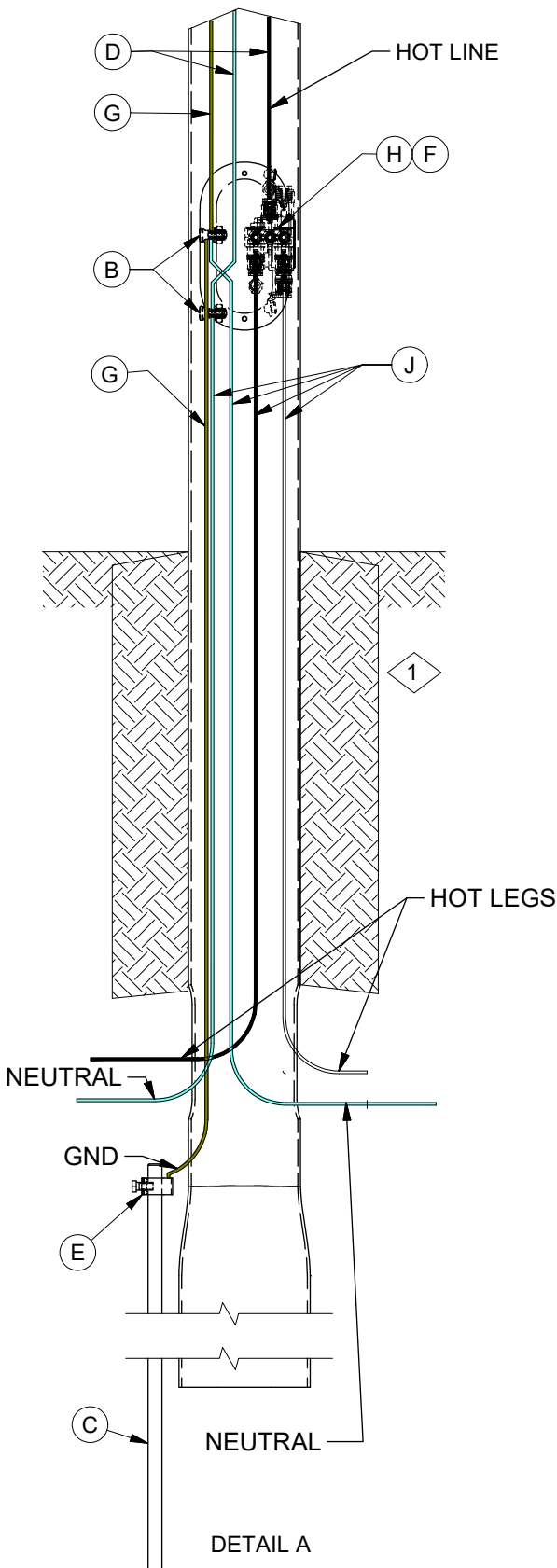
| REV | DATE | ENG | DESCRIPTION |
|-----|----------|-----|---------------------------------|
| 1 | 10/01/23 | WYW | Moved Data from DCS 15 75 05 02 |
| 0 | 01/21/10 | WYW | |



CONSTRUCTION NOTE(s):

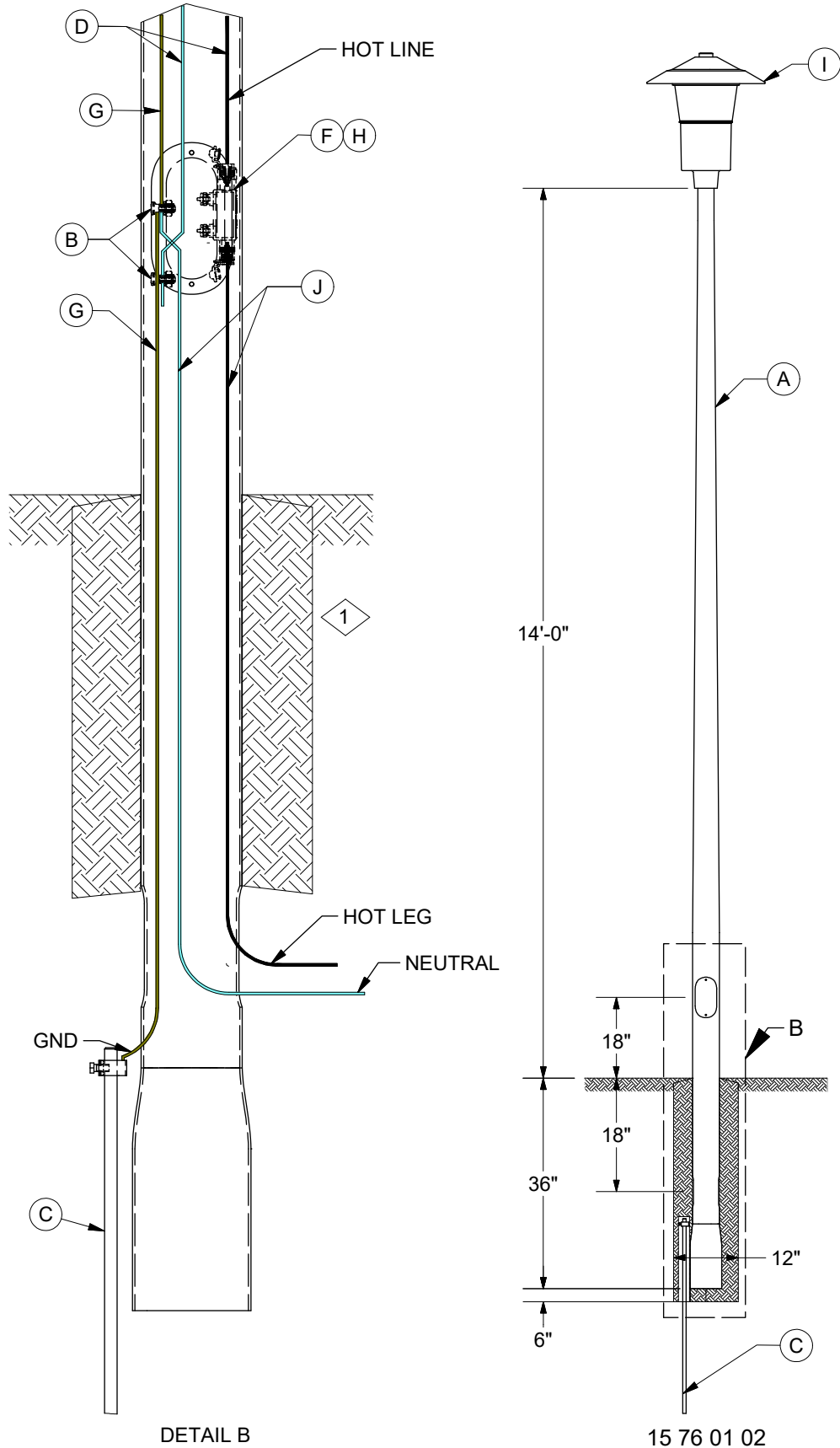
1. Customer installs Ameren supplied box.
2. Customer cut top of conduit bend so 3" stub extends thru bottom of box.
3. Street Light Pole Installed by Ameren

| | ITEM | STK / DCS # | DESCRIPTION | 15 75 05 ** | 04 |
|---|------|-------------|--|-------------|----|
| 1 | A | 12 51 330 | Plug – Conduit 1-1/2" | | 1 |
| | B | 49 55 520 | Marker – Buried Conduit | | 1 |
| | C | 12 51 329 | Conduit Reducer 2" to 1-1/2" | | 1 |
| | D | 12 06 106 | Poly Splice Box 9 3/4" (W) x 14" (L) x 12" (D) | | 1 |



15 76 01 01

| REV | DATE | ENG | DESCRIPTION |
|-----|----------|-----|--------------|
| 0 | 10/01/23 | WYW | New Standard |



| REV | DATE | ENG | DESCRIPTION |
|-----|----------|-----|--------------|
| 0 | 10/01/23 | WYW | New Standard |
| | | | |



OUTDOOR LIGHTING

Decorative / Post Top
Aluminum Pole - 14' Mounting Height

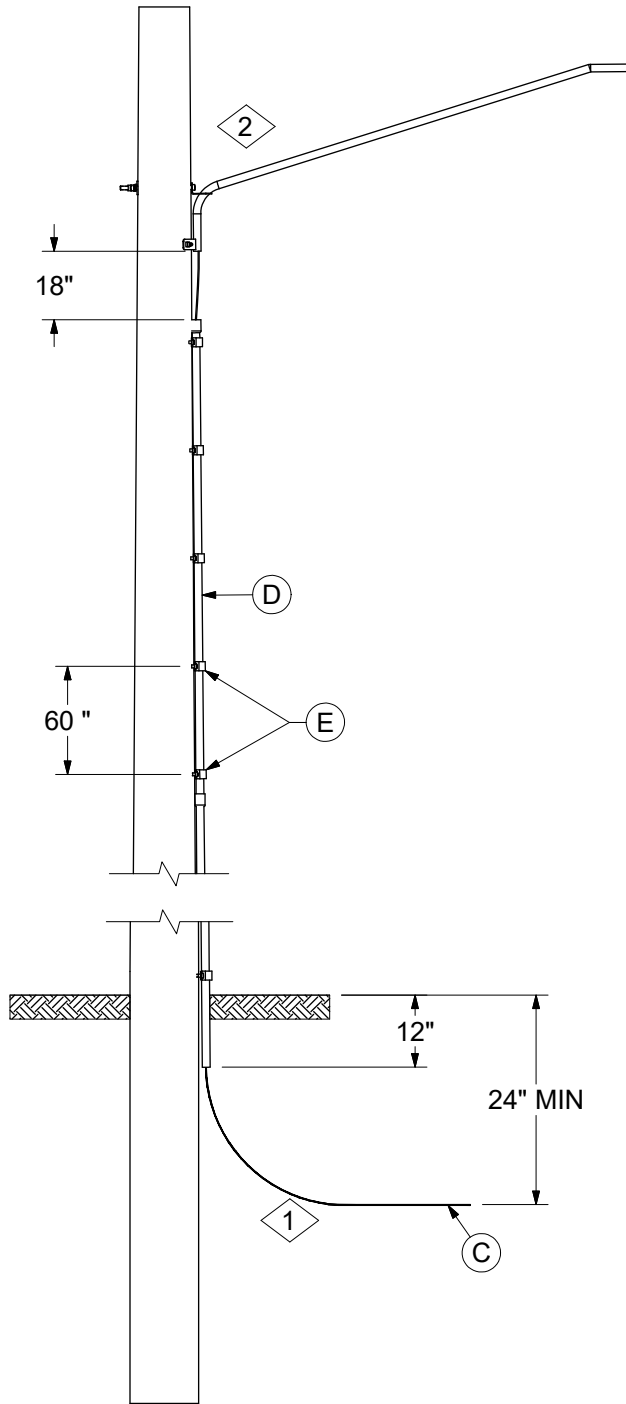
| DCS # | DESCRIPTION |
|-------------|--------------|
| 15 76 01 01 | Multi-Light |
| 15 76 01 02 | Single-Light |

CONSTRUCTION NOTE(s):

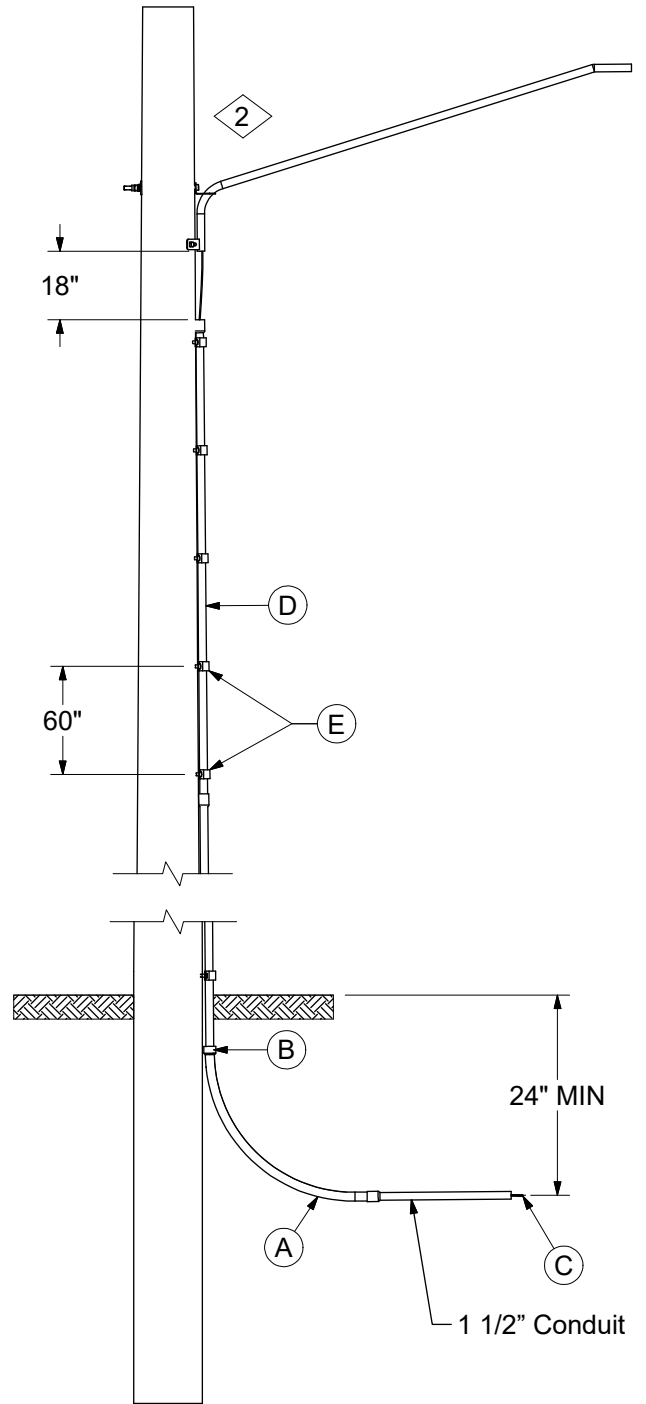
1. 1. Rock or native soil must be tamped to provide solid compaction around the pole. Refer to DCS **02 20 05 **** for more detail.
2. Generally only one tag per street light shall be installed. If more than one street light installed on the same pole, one tag street light is required, and each tag should be installed on the same quadrant of the light. The tag should be installed visibly from the ground level but not reachable from public. Refer to DCS **15 90 01 01** for more details.
3. In Missouri residential developments, the contractor will install 1-1/2 inch conduit to the pole site. Ameren will install the pole and the cable. In Illinois residential developments, Ameren will install direct burial unless the customer provides a complete conduit system.
4. For fused underground streetlight cable at pad mount transformer or pedestal, refer to DCS **52 00 01 ****.
5. See DCS **29 00 17 02** for minimum required ground clearance to bottom of antenna. Use clearance "Secondary & Service Conductors 0 to 750 Volts".

| | ITEM | STOCK # | DESCRIPTION | 15 76 01 ** | 01 | 02 |
|---|------|--------------------|---|-------------|----|----|
| | A | 38 51 663 | Pole - Aluminum, Black, w/Hand Hole | | 1 | 1 |
| | B | 17 54 004 | Connector - Split Bolt, #4 Sol CU thru #8 Sol CU | | 2 | 2 |
| | C | 23 63 027 | Ground Rod, 5/8" x 8' | | 1 | 1 |
| | D | 18 07 104 | Cable, 2#10, Cu, Poly (ft) | | 17 | 17 |
| | E | 17 52 032 | Clamp, Ground Rod 5/8" | | 1 | 1 |
| | F | 20 52 110 | Fuse, 10 Amp | | 1 | 2 |
| | G | 18 52 019 | Wire, S.D. #6 Cu, Bare, (ft) | | 10 | 10 |
| | H | 20 56 544 | Connector, #14 thru 1/0 Wire, One to Two Way Fusible Link | | 1 | - |
| | | 20 56 543 | Connector, #14 thru 1/0 Wire, One to One Fusible Link | | - | 1 |
| @ | I | 15 70 15 ** | Luminaire, Post Top | | 1 | 1 |
| @ | J | 18 07 252 | Cable - Duplex #6 Al. (ft) | | # | # |

| REV | DATE | ENG | DESCRIPTION |
|-----|----------|-----|--------------|
| 0 | 10/01/23 | WYW | New Standard |
| | | | |



15 77 01 03
Direct Buried



15 77 01 04
In Conduit

| REV | DATE | ENG | DESCRIPTION |
|-----|----------|-----|-------------------------|
| 7 | 10/01/23 | WYW | Converted To New Format |
| 6 | 01/21/10 | WYW | |



OUTDOOR LIGHTING

Wood Pole - UG Circuit

15 77 01 **

2 of 2

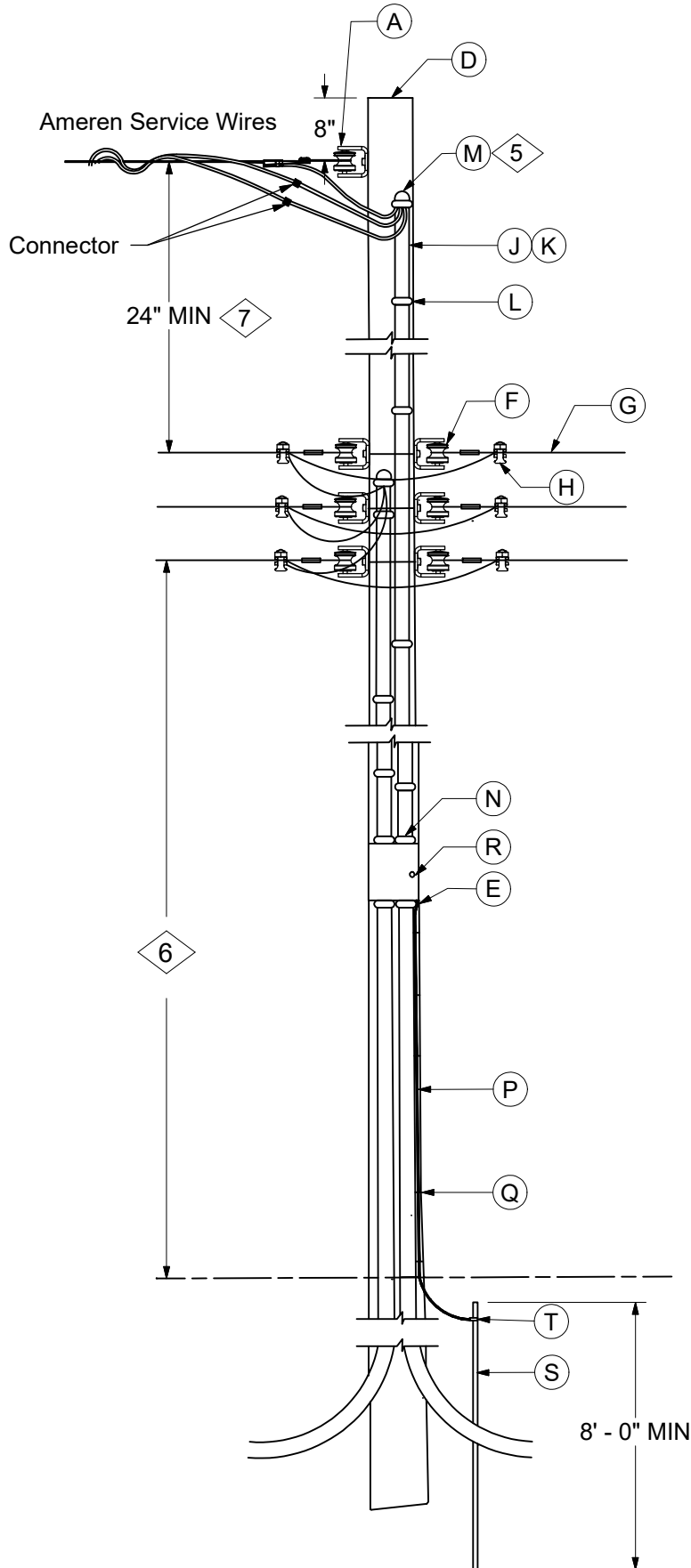
CONSTRUCTION NOTE(s):

1. As an underground alternative, where multiple lights are being installed direct bury a "T" splice per DCS **41 15 31 00** to avoid running the cable up and down the pole.
2. Pole, bracket, and luminaire are listed separately.
3. Refer to DCS **02 20 05 **** for backfill.

| | ITEM | STK / DCS # | DESCRIPTION | 15 77 01 ** | 03 | 04 |
|---|------|-------------|---------------------------------|-------------|----|----|
| | A | 12 51 331 | Conduit, Bend, 1-1/2", 24" Rad | - | - | 1 |
| | B | 40 83 425 | Conduit Reducer, 1-1/2" to 1" | - | - | 1 |
| @ | C | 18 07 252 | Cable, URD, Duplex #6, Al (ft) | # | # | # |
| @ | D | 12 01 332 | Conduit, Schedule 80, 1" | # | # | # |
| @ | E | 40 73 377 | Strap, 1" w/ 1-Hole & 1/4" Bolt | # | # | # |

**DISTRIBUTION
CONSTRUCTION STANDARDS**

| REV | DATE | ENG | DESCRIPTION |
|-----|----------|-----|-------------------------|
| 7 | 10/01/23 | WYW | Converted To New Format |
| 6 | 01/21/10 | WYW | |



| REV | DATE | ENG | DESCRIPTION |
|-----|----------|-----|---------------------------------|
| 3 | 10/01/23 | WYW | Moved Data from DCS 25 01 05 00 |
| 2 | 10/21/10 | WYW | |



OUTDOOR LIGHTING
Customer Owned
Unmetered Street Light Installation

| |
|--------------------|
| 15 78 00 00 |
| 2 of 2 |

CONSTRUCTION NOTE(s):

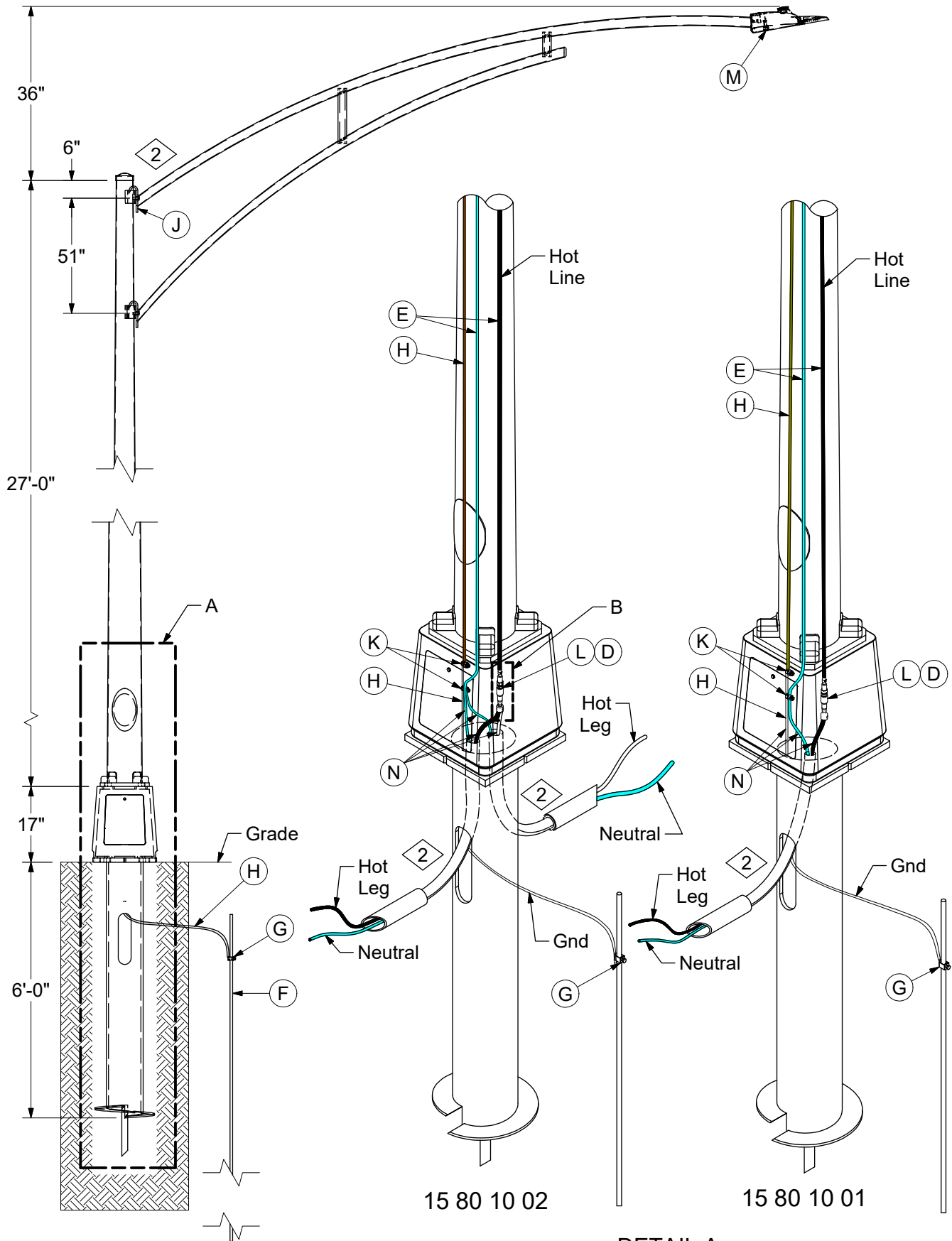
1. Customer to notify company of location of service pole, size of lighting load, and if overhead conductor, size of wire and length of span to next pole. Company will then determine pole size and guying requirements and notify customer. Guying to be avoided by using self sustained poles where possible. If guying is required, customer will supply guy and anchor in traffic free location.
 2. Customer to provide a fused disconnect switch in a suitable watertight enclosure. This device shall meet all requirements of the National Electrical Code and National Electrical Safety Code and be approved by local inspection authorities. The enclosure is to be provided with a provision for locking. The enclosure shall be grounded.
 3. All construction to comply with the National Electrical Code or National Electrical Safety Code as applicable.
 4. If customer installs a light on this pole, such light shall clear Ameren service wires by not less than 24 inches.
5. Locate 15" from the top of pole & 5" to side of center line of bracket.
6. See DCS **09 00 03 01** for minimum clearance.
7. Allow 15" of service cable for the connection.

| Material Provided In Place And Owned By Ameren | | | | | |
|--|------|--------------------|------------------|-------------|----|
| | ITEM | STK / DCS # | DESCRIPTION | 15 78 00 ** | 00 |
| @ | A | 06 01 01 01 | Secondary Clevis | | 1 |
| | B | 07 00 25 00 | Connector | | 2 |

| Material Provided In Place And Owned By Customer | | | | |
|--|------|--------------------------|--------------------------------|----|
| | ITEM | DESCRIPTION | 15 78 00 ** | 00 |
| 1 | A | Pole | | 1 |
| | E | Grounding Lug | | 1 |
| | F | Secondary Clevis | | 6 |
| | G | Distribution Wire | | - |
| | H | Clamp, PG | | 6 |
| | J | Metallic Conduit | | - |
| | K | Service Entrance Cable | | - |
| | L | Conduit Straps | | - |
| | M | Entrance Caps | | 2 |
| | N | Connectors (Water Tight) | | 2 |
| | P | Ground Wire | | - |
| | Q | Staples | | - |
| | 2 | R | Fused Disconnect SW. Raintight | |
| S | | Ground Rod | | 1 |
| T | | Ground Rod Lug | | 1 |
| 1 | U | Guy & Anchor (If Req'd.) | | 1 |

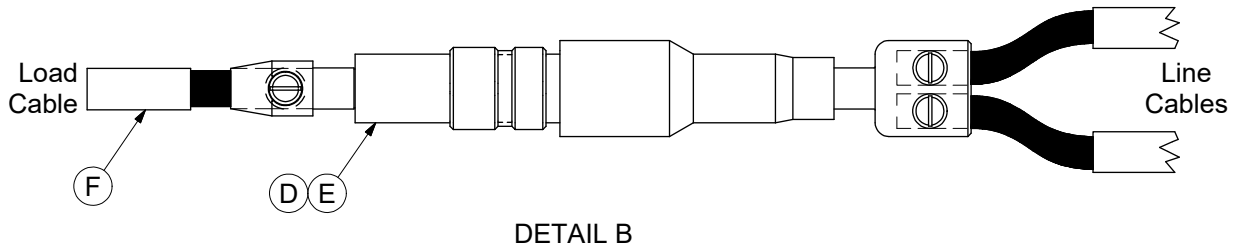
**DISTRIBUTION
CONSTRUCTION STANDARDS**

| REV | DATE | ENG | DESCRIPTION |
|-----|----------|-----|---------------------------------|
| 3 | 10/01/23 | WYW | Moved Data from DCS 25 01 05 00 |
| 2 | 10/21/10 | WYW | |



DETAIL A

| REV | DATE | ENG | DESCRIPTION |
|-----|----------|-----|--------------|
| 0 | 10/01/23 | WYW | New Standard |
| | | | |



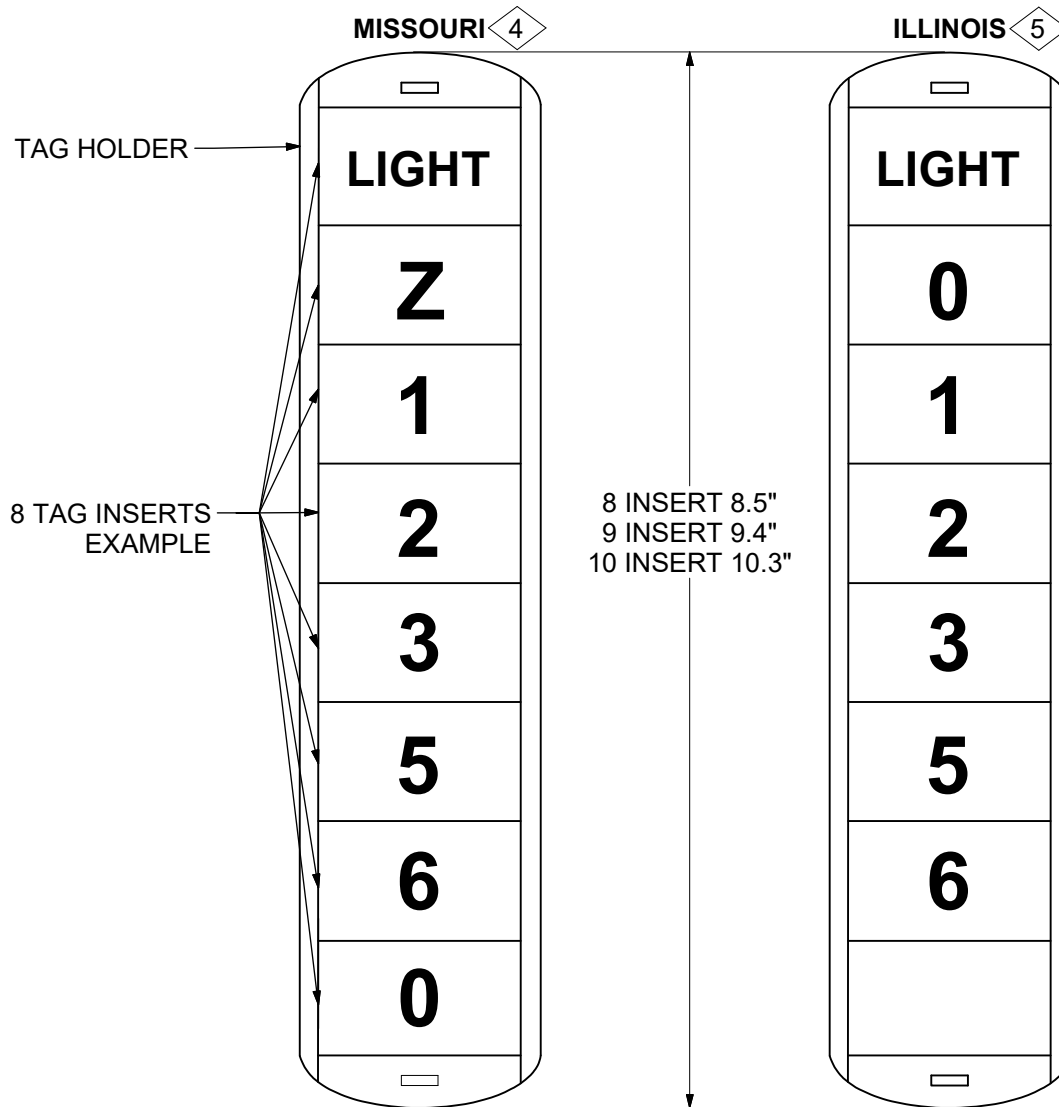
CONSTRUCTION NOTE(s):

1. For 120 Volt circuit, use one fuse in energized line and one fuse slug (Stock #38 01 507) in neutral.
2. 2. Wrap plastic tie around wires where they enter bracket.
3. For fused underground streetlight cable at padmount transformer or pedestal, refer to DCS **52 00 01 ****.

| DCS # | DESCRIPTION |
|-------------|------------------------|
| 15 80 10 01 | Breakaway, In-Line |
| 15 80 10 02 | Breakaway, In-Line "Y" |

| | ITEM | STK / DCS # | DESCRIPTION | 15 80 10 ** | 01 | 02 |
|---|------|--------------------|--|-------------|----|----|
| | A | 10 00 10 081 | Pole, Galv. , 30 ft, Anchor Base with 12 ft Bracket | 1 | 1 | |
| | B | 10 00 10 082 | Base, Breakaway , Al., T-Base | 1 | 1 | |
| | C | 23 13 162 | Foundation, Screw-in, 5 ft | 1 | 1 | |
| | D | 38 01 509 | Fuse - 10 Amp 600V | 1 | 2 | |
| | E | 18 57 104 | Cable, 2#10 Cu, Covered (ft) | 50 | 50 | |
| | F | 23 13 069 | Ground Rod - 5/8" x 8' | 1 | 1 | |
| | G | 17 52 032 | Clamp, Ground Rod 5/8" | 1 | 1 | |
| | H | 18 52 019 | Wire, #6 Cu, S.D., Bare (ft) | 50 | 50 | |
| | I | 12 51 148 | Conduit, Poly, 1" (ft) | 10 | 10 | |
| | J | 25 54 074 | Tie Cable - 1/2" x 6" Poly, (ft) | 2 | 4 | |
| | K | 17 54 004 | Connector - Split Bolt, #4 Sol CU thru #8 Sol CU | 2 | 2 | |
| @ | L | 20 76 141 | Fuseholder, In-Line, 600V, Breakaway, #12 to #2 Cu/Al | 1 | - | |
| | | 38 01 504 | Fuseholder, In-Line, "Y", 600V, Breakaway, #12 to #2 Cu/Al | - | 1 | |
| @ | M | 15 70 13 ** | Luminaire, LED Bracket Mount | 1 | 1 | |
| @ | N | 18 07 252 | Cable - Duplex, #6 Al (ft) | # | # | |

| REV | DATE | ENG | DESCRIPTION |
|-----|----------|-----|--------------|
| 0 | 10/01/23 | WYW | New Standard |
| | | | |



CONSTRUCTION NOTE(s):

1. The street lighting tags will be produced by construction district personnel after obtaining the proper designation and abbreviation from the appropriate authority.
2. The street lighting tags will consist of a holder and various inserts. The holder will accommodate a maximum of eight, nine, and ten inserts. It is necessary to crimp each end of the holder to prevent the number from sliding out. A sample tag with eight inserts is shown.
3. Install a street light number about 10 ft. from the ground, so that is visible for general public, but still out of reach. Generally only one tag per street light shall be installed. If more than one street light is installed on the same street lighting pole, one tag per street light is required, and each tag should be installed on the same quadrant as the light. The tag should be installed visibly from the ground level but not reachable from public.

◊ 4. In Missouri use light tag, followed by a letter and six numbers

◊ 5. In Illinois use light tag and six numbers.

**DISTRIBUTION
CONSTRUCTION STANDARDS**

| REV | DATE | ENG | DESCRIPTION |
|-----|----------|-----|-------------------------|
| 4 | 10/01/23 | WYW | Converted To New Format |
| 3 | 06/30/17 | ZSD | |



OUTDOOR LIGHTING

Street Light Tagging

6. Tag Attachment Methods

A. Tire Wire - Stock #40 59 197

Whenever a tag is attached directly to a non-wood street lighting pole, a tie wire shall be used for the attachment.

B. Galvanized Nails - Stock #21 57 047

Whenever a tag is attached directly to a wood pole, two galvanized nails shall be used for the attachment.

7. The zero tag is a phase symbol that has been rotated 90 deg. to appear as a zero with a line through it. This is to help distinguish between "zero" and the letter "O".

8. Tag Holder and Inserts

Street lighting tags will be produced using the following stock items.

| STK / DCS # | Description |
|-------------|----------------------------------|
| 16 16 047 | Holder, Tag, Aluminum, 8 inserts |
| 16 16 048 | Holder, Tag, Aluminum, 9 inserts |
| 16 16 049 | Holder, Tag Aluminum, 10 inserts |
| 16 16 050 | Tag, "LIGHT" |
| 16 01 195 | Tag, "0" |
| 16 01 196 | Tag, "1" |
| 16 01 197 | Tag, "2" |
| 16 01 198 | Tag, "3" |
| 16 01 199 | Tag, "4" |
| 16 01 200 | Tag, "5" |
| 16 01 201 | Tag, "6 or 9" |
| 16 01 202 | Tag, "7" |
| 16 01 203 | Tag, "8" |
| 16 01 204 | Tag, "A" |
| 16 01 205 | Tag, "B" |
| 16 01 206 | Tag, "C" |
| 16 01 207 | Tag, "D" |
| 16 01 208 | Tag, "E" |
| 16 01 209 | Tag, "F" |
| 16 01 210 | Tag, "G" |

| STK / DCS # | Description |
|-------------|-------------|
| 16 01 211 | Tag, "H" |
| 16 01 303 | Tag, "I" |
| 16 01 304 | Tag, "J" |
| 16 01 305 | Tag, "K" |
| 16 01 306 | Tag, "L" |
| 16 01 307 | Tag, "M" |
| 16 01 308 | Tag, "N" |
| 16 01 309 | Tag, "O" |
| 16 01 212 | Tag, "P" |
| 16 01 310 | Tag, "Q" |
| 16 01 311 | Tag, "R" |
| 16 01 213 | Tag, "S" |
| 16 01 214 | Tag, "T" |
| 16 01 312 | Tag, "U" |
| 16 01 313 | Tag, "V" |
| 16 01 314 | Tag, "W" |
| 16 01 215 | Tag, "X" |
| 16 01 216 | Tag, "Y" |
| 16 01 217 | Tag, "Z" |

| REV | DATE | ENG | DESCRIPTION |
|-----|----------|-----|-------------------------|
| 4 | 10/01/23 | WYW | Converted To New Format |
| 3 | 06/30/17 | ZSD | |