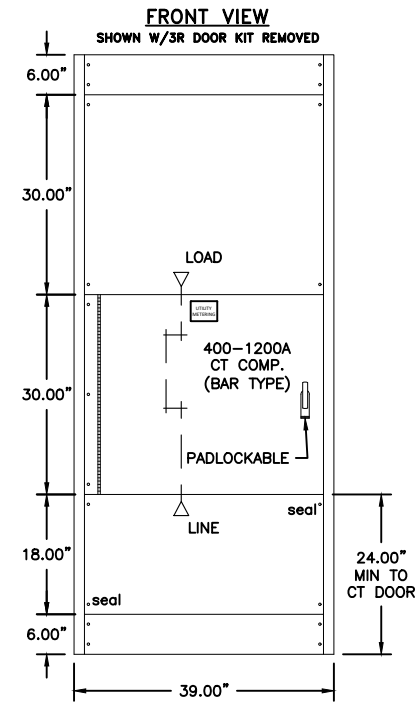
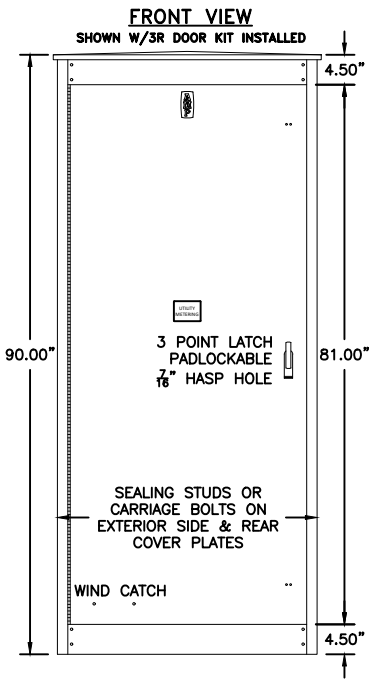
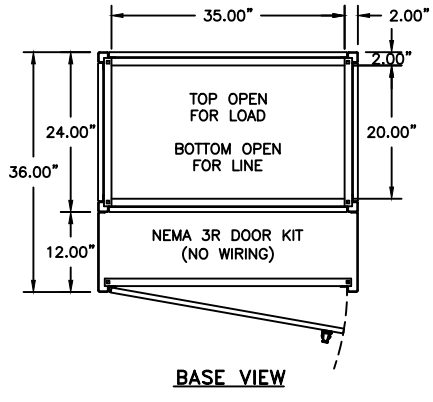
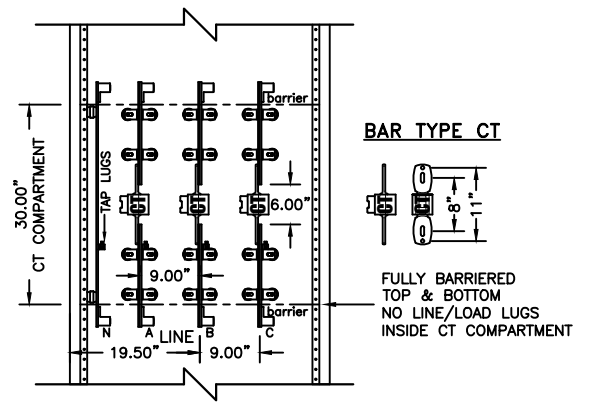


Ameren Approved Switchboard - American Midwest Power CT Compartment
208Y/120 Volt, 800 - 1200 AMPERES
Reference: AMESWDCTBAR120

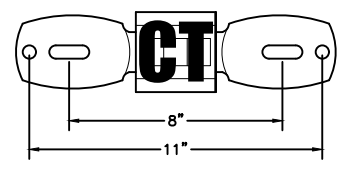
FILE NUMBER: -
 CUSTOMER NUMBER: -
 NA
 COPIED, ER.



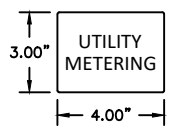
AMEREN CT COMPARTMENT DETAIL
400-1200A 208V
W/BAR TYPE CT'S



BAR TYPE CT DETAIL
(4X SCALE)



UTILITY METERING LABEL
(4X SCALE)



REQUIRED ON UTILITY CT COMPARTMENT DOORS

NOTES:

- 1) LUG INCLUDED FOR ALL THREE PHASES AND NEUTRAL ON SOURCE SIDE OF CT'S FOR #10 GA WIRE LEADS FROM PT'S
- 2) ALL CT AND PT COVERS MUST BE HINGED & LOCKABLE
- 3) SEALING STUDS OR CARRIAGE BOLTS ON ALL EXTERNAL COVERS

TYPE F SWITCHBOARD SPECIFICATION

FRONT ACCESSIBLE CLASS 1, NEMA 3R, DEADFRONT CONSTRUCTION FORMED 12GA. FRAMING WITH 14GA. STEEL PAN FORMED COVER PLATES POWDER PAINTED ASA 61 GRAY, PLATED BUS. U.L. LISTED AND LABELED AS SUITABLE FOR SERVICE ENTRANCE EQUIPMENT PER U.L. 891. STANDARD FAULT CURRENT RATING: 85,000A; 60HZ.

BILL OF MATERIALS

ITEM	QTY	CATALOG NUMBER	DESCRIPTION	SUPPLIER
1	1	CT-	400-1200A UTILITY BAR TYPE CT COMP	AMP
2				
3				
4				
5				

NOTES:

AMPS: 1200	VOLTAGE: 208Y/120V	SYSTEM: 3Ø 4W	AIC: 85K	BUS: AL	DATE: 04/13/22	DRAWING NO: -
------------	--------------------	---------------	----------	---------	----------------	---------------



AMERICAN MIDWEST POWER

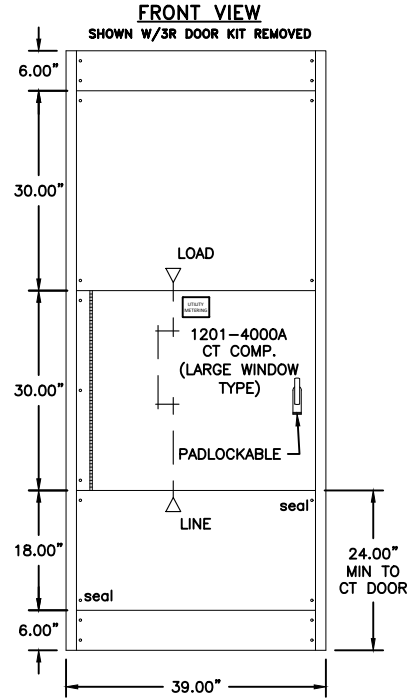
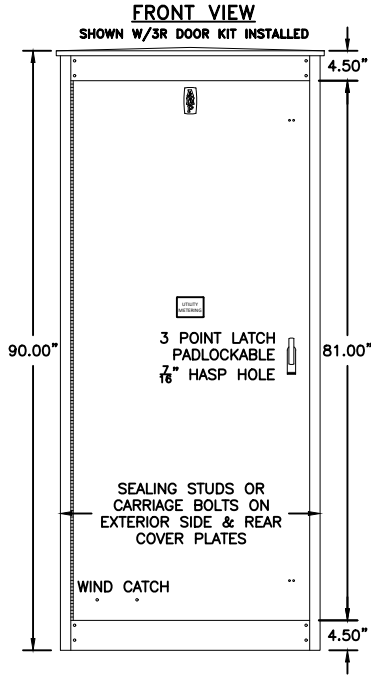
JOB NAME: AMEREN CT COMPARTMENT DETAILS (1201-4000A, 208V)
CUSTOMER:

QUOTE NUMBER: 041322 (JG)
FILE NUMBER: -

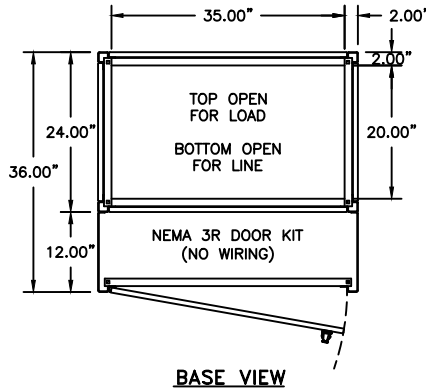
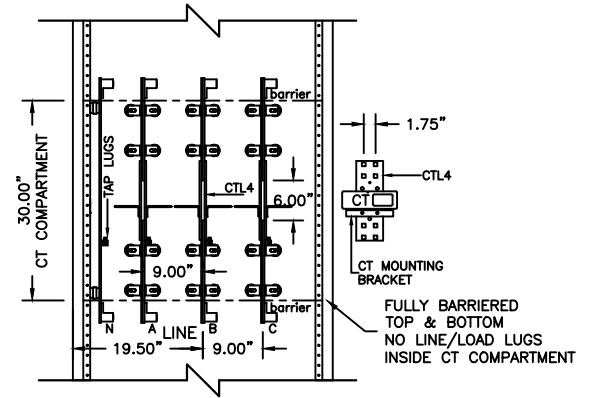
Ameren Approved Switchboard - American Midwest Power CT COMPARTMENT
208Y/120 Volt, 1201 - 4000 AMPERES

REV DATE: 07/06/22 SCALE: NA
CUSTOMER NUMBER: -

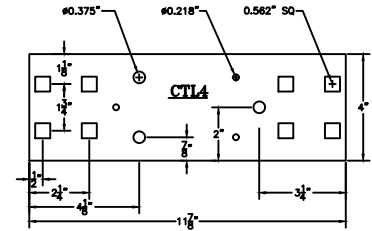
POWER, AND ARE NOT TO BE COPIED,
AMERICAN MIDWEST POWER.



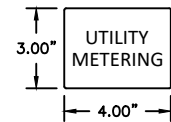
AMEREN CT COMPARTMENT DETAIL
1201-4000A 208V
W/LARGE WINDOW TYPE CT'S



CTL4 REMOVABLE CT LINK DETAIL
(4X SCALE)



UTILITY METERING LABEL
(4X SCALE)



REQUIRED ON UTILITY CT COMPARTMENT DOORS

NOTES:

- 1) LUG INCLUDED FOR ALL THREE PHASES AND NEUTRAL ON SOURCE SIDE OF CT'S FOR #10 GA WIRE LEADS FROM PT'S
- 2) ALL CT AND PT COVERS MUST BE HINGED & LOCKABLE
- 3) SEALING STUDS OR CARRIAGE BOLTS ON ALL EXTERNAL COVERS

TYPE F SWITCHBOARD SPECIFICATION

FRONT ACCESSIBLE CLASS 1, NEMA 3R, DEADFRONT CONSTRUCTION FORMED 12GA. FRAMING WITH 14GA. STEEL PAN FORMED COVER PLATES POWDER PAINTED ASA 61 GRAY, PLATED BUS. U.L. LISTED AND LABELED AS SUITABLE FOR SERVICE ENTRANCE EQUIPMENT PER U.L. 891. STANDARD FAULT CURRENT RATING: 85,000A; 60HZ.

BILL OF MATERIALS

ITEM	QTY	CATALOG NUMBER	DESCRIPTION	SUPPLIER
1	1	CT-	1201-4000A UTILITY CT COMP(LARGE WINDOW TYPE)	AMP
2				
3				
4				
5				

NOTES:

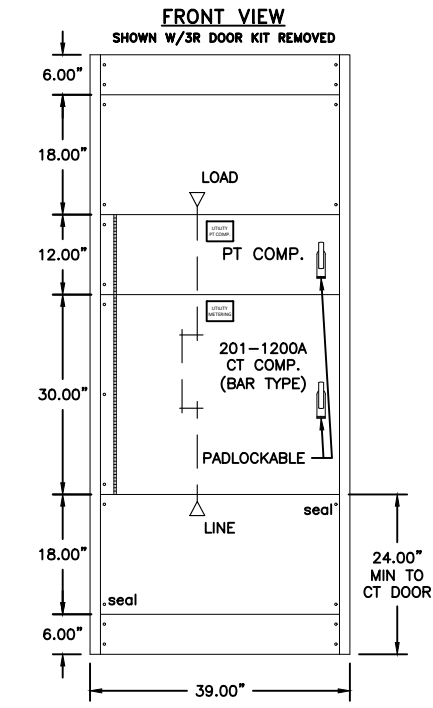
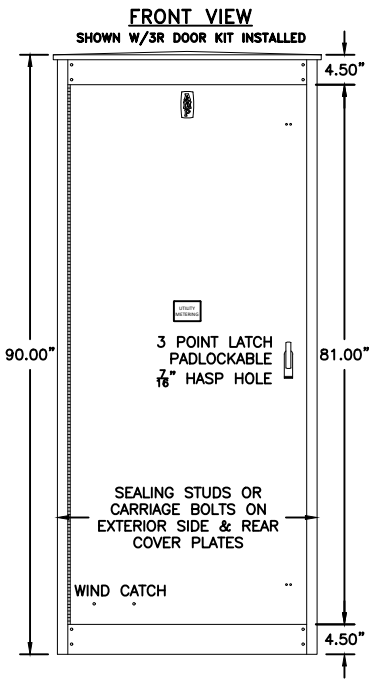
AMPS: 1201	VOLTAGE: 208Y/120V	SYSTEM: 3Ø 4W	AIC: 85K	BUS: AL	DATE: 04/13/22	DRAWING NO: -
------------	--------------------	---------------	----------	---------	----------------	---------------



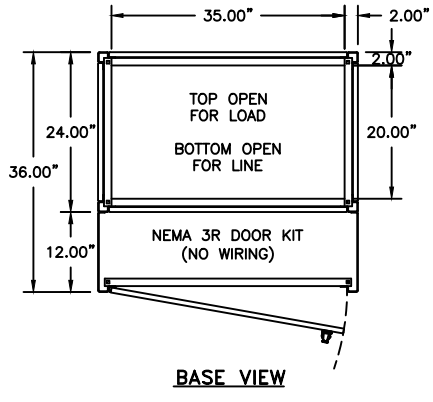
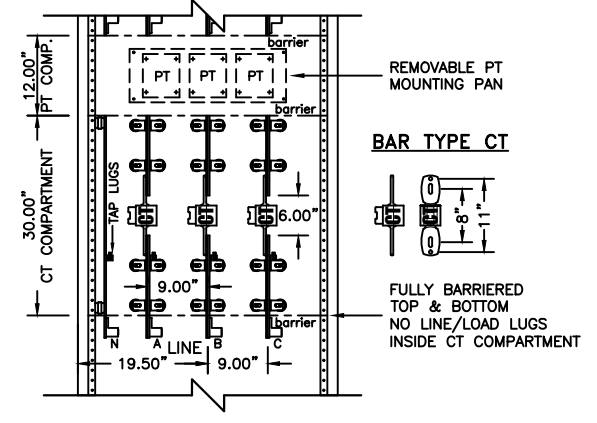
JOB NAME:	AMEREN CT COMPARTMENT DETAILS (201-1201A, 480V)	QUOTE NUMBER:	041322 (JG)
CUSTOMER:		FILE NUMBER:	—
SCALE:	NA	CUSTOMER NUMBER:	—

Ameren Approved Switchboard - American Midwest Power CT / PT Component
480Y/277 VOLT, 800 - 1200 AMPERES
Reference: MESWDCTBAR480

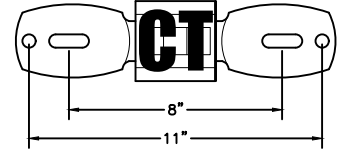
NOT TO BE COPIED, WITHOUT THE APPROVAL OF AMERICAN MIDWEST POWER.



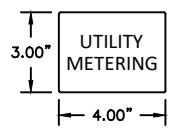
AMEREN CT COMPARTMENT DETAIL
201-1200A 480V W/PT COMPARTMENT & BAR TYPE CT'S



BAR TYPE CT DETAIL
(4X SCALE)

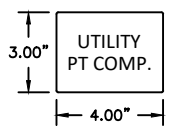


UTILITY METERING LABEL
(4X SCALE)



REQUIRED ON UTILITY CT COMPARTMENT DOORS

UTILITY PT COMP LABEL
(4X SCALE)



REQUIRED ON UTILITY PT COMPARTMENT DOOR

NOTES:

- 1) LUG INCLUDED FOR ALL THREE PHASES AND NEUTRAL ON SOURCE SIDE OF CT'S FOR #10 GA WIRE LEADS FROM PT'S
- 2) ALL CT AND PT COVERS MUST BE HINGED & LOCKABLE
- 3) SEALING STUDS OR CARRIAGE BOLTS ON ALL EXTERNAL COVERS

TYPE F SWITCHBOARD SPECIFICATION

FRONT ACCESSIBLE CLASS 1, NEMA 3R, DEADFRONT CONSTRUCTION FORMED 12GA. FRAMING WITH 14GA. STEEL PAN FORMED COVER PLATES POWDER PAINTED ASA 61 GRAY, PLATED BUS. U.L. LISTED AND LABELED AS SUITABLE FOR SERVICE ENTRANCE EQUIPMENT PER U.L. 891. STANDARD FAULT CURRENT RATING: 85,000A; 60HZ.

BILL OF MATERIALS

ITEM	QTY	CATALOG NUMBER	DESCRIPTION	SUPPLIER
1	1	CT-	201-1200A UTILITY BAR TYPE CT COMP	AMP
2	1	AMECTPT3	UTILITY PT MOUNTING PAN	AMP
3				
4				
5				

NOTES:

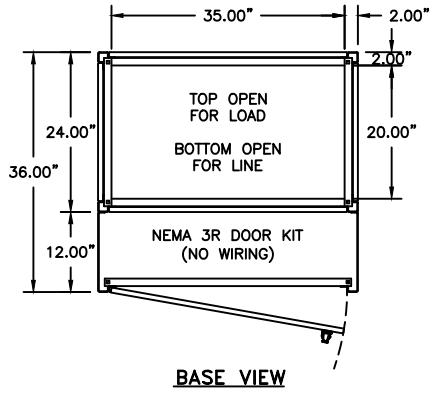
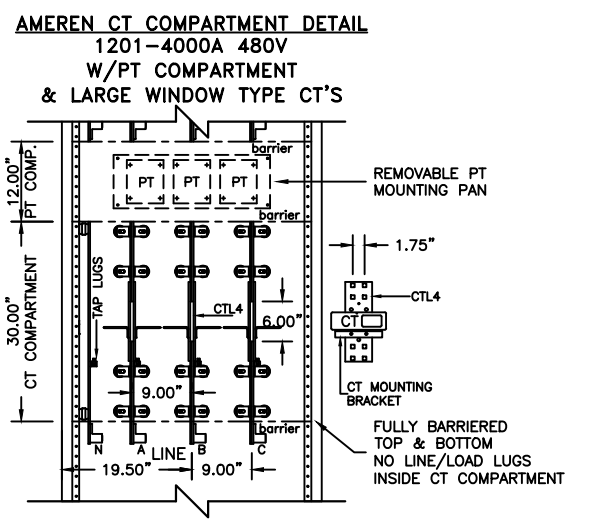
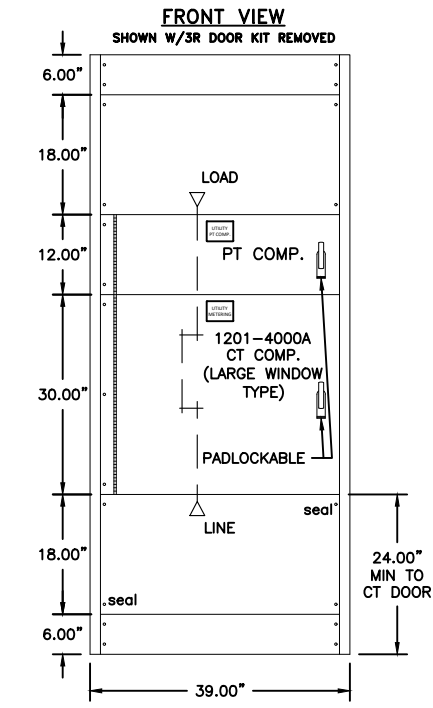
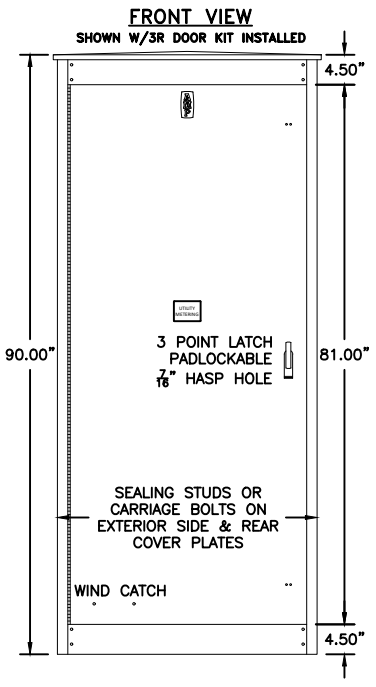
AMPS:	VOLTAGE:	SYSTEM:	AIC:	BUS:	DATE:	DRAWING NO.:
1200	480Y/277V	3Ø 4W	85K	AL	04/13/22	—



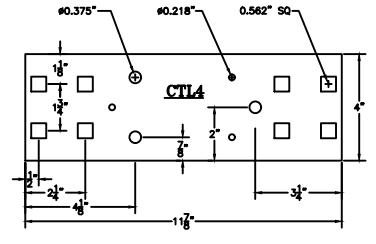
JOB NAME:	AMEREN CT COMPARTMENT DETAILS (1201-4000A, 480V)	QUOTE NUMBER:	041322 (JG)
CUSTOMER:		FILE NUMBER:	-
		SCALE:	NA
		CUSTOMER NUMBER:	-

**Ameren Approved Switchboard - American Midwest Power CT / PT
Compartment
480Y/277 VOLT, 1201 - 4000 AMPERES
Reference: MESWDCTWIN480**

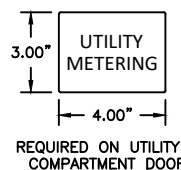
ARE NOT TO BE COPIED, MIDWEST POWER.



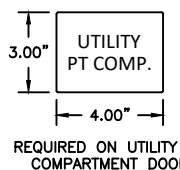
CTL4 REMOVABLE CT LINK DETAIL (4X SCALE)



UTILITY METERING LABEL (4X SCALE)



UTILITY PT COMP LABEL (4X SCALE)



- NOTES:**
- 1)LUG INCLUDED FOR ALL THREE PHASES AND NEUTRAL ON SOURCE SIDE OF CT'S FOR #10 GA WIRE LEADS FROM PT'S
 - 2)ALL CT AND PT COVERS MUST BE HINGED & LOCKABLE
 - 3)SEALING STUDS OR CARRIAGE BOLTS ON ALL EXTERNAL COVERS

TYPE F SWITCHBOARD SPECIFICATION

FRONT ACCESSIBLE CLASS 1, NEMA 3R, DEADFRONT CONSTRUCTION FORMED 12GA. FRAMING WITH 14GA. STEEL PAN FORMED COVER PLATES POWDER PAINTED ASA 61 GRAY, PLATED BUS. U.L. LISTED AND LABELED AS SUITABLE FOR SERVICE ENTRANCE EQUIPMENT PER U.L. 891. STANDARD FAULT CURRENT RATING: 85,000A; 60HZ.

BILL OF MATERIALS

ITEM	QTY	CATALOG NUMBER	DESCRIPTION	SUPPLIER
1	1	CT-	1201-4000A UTILITY CT COMP(LARGE WINDOW TYPE)	AMP
2	1	AMECTPT3	UTILITY PT MOUNTING PAN	AMP
3				
4				
5				

NOTES:

AMPS:	VOLTAGE:	SYSTEM:	AIC:	BUS:	DATE:	DRAWING NO:
1201	480Y/277V	3Ø 4W	85K	AL	04/13/22	-