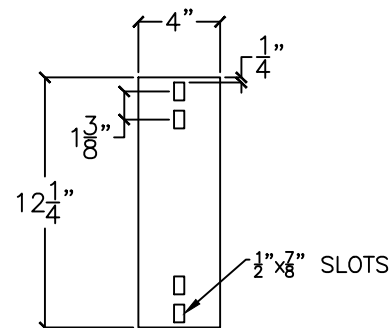


AVAILABLE SERVICE VOLTAGES:

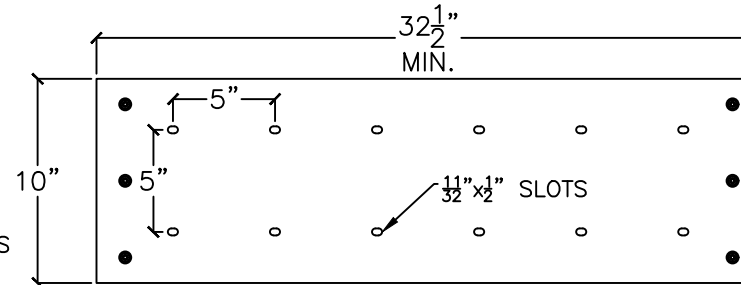
- 208Y/120V 3PH4W 4000A MAX, PT COMPARTMENT ELIMINATED
- 480Y/277V 3PH4W 4000A MAX

Ameren Approved Switchboard - EMI CT/PT Compartment
208Y/120V, 480Y/277V, 1201 - 4000 Amperes
Underground Feed
Reference: EMI #SBCT4000BF-AM

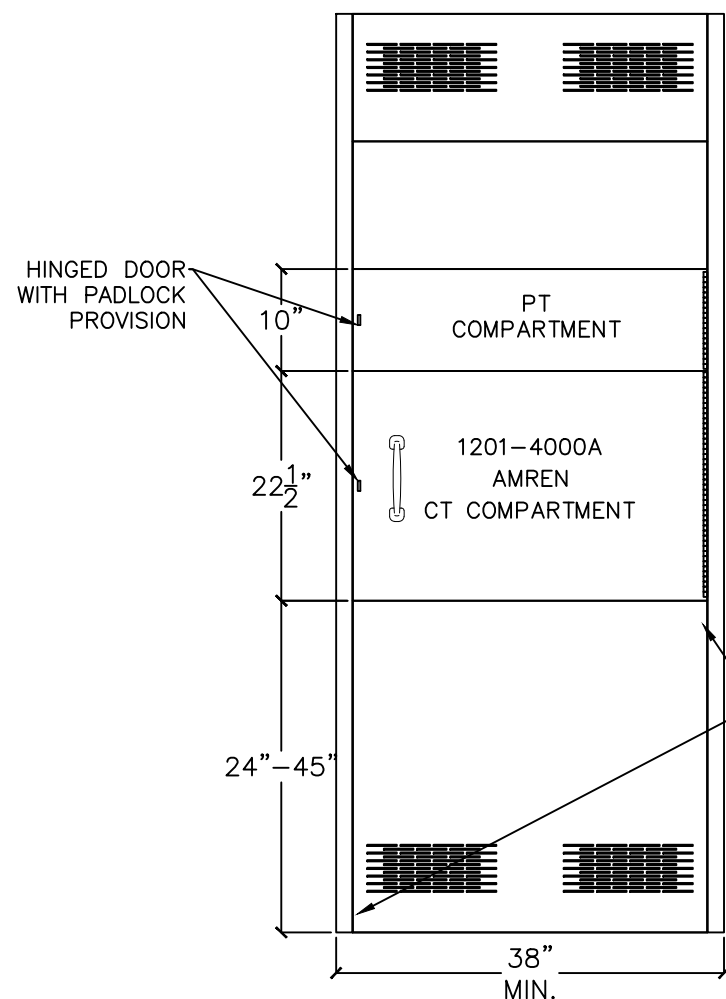
REMOVABLE CT BUS
LINK DETAIL
SCALE 2:1



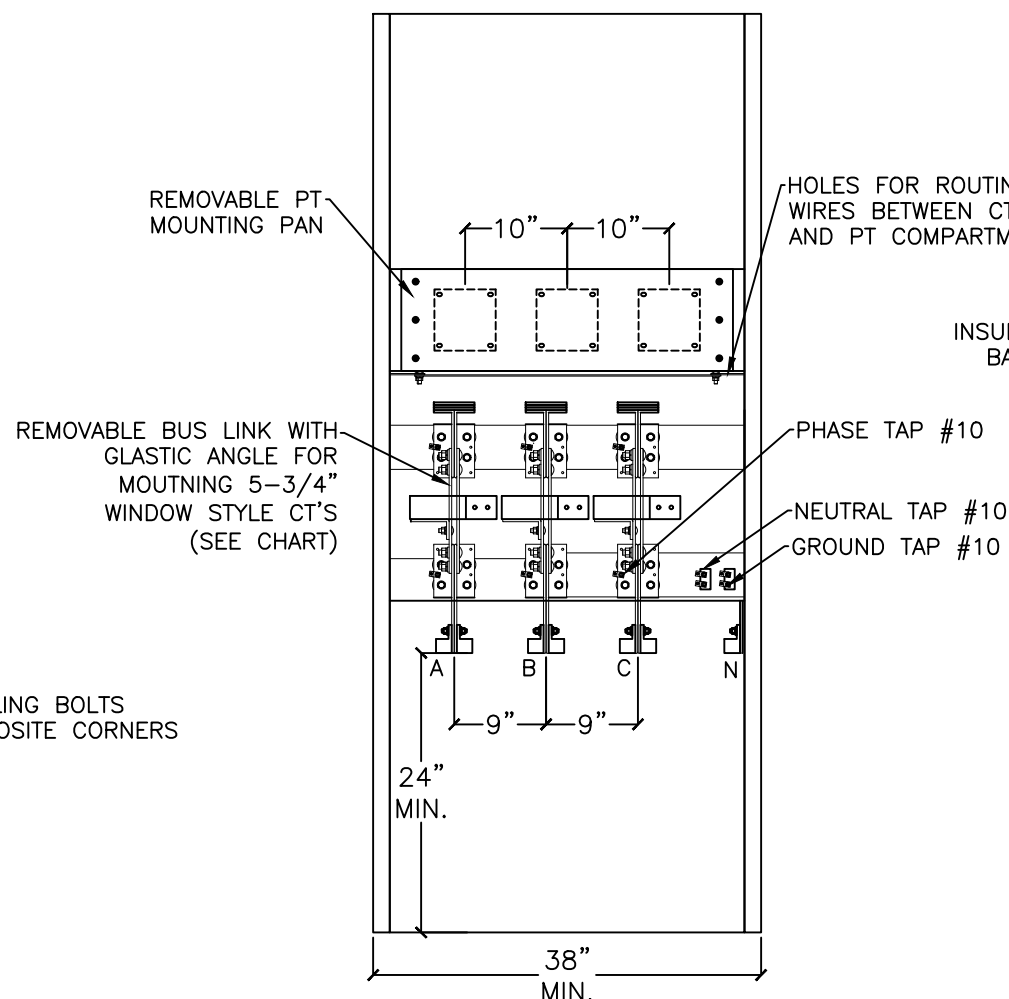
PT PAN DETAIL
SCALE 2:1



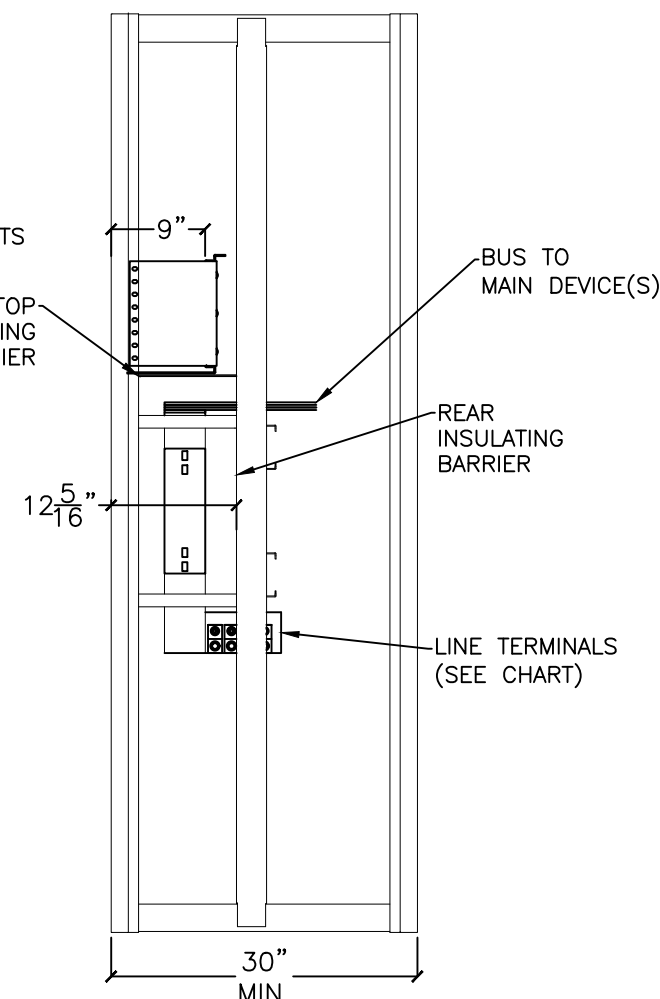
FRONT VIEW



FRONT INTERIOR VIEW
FRONT COVERS REMOVED



SIDE INTERIOR VIEW
SIDE COVERS REMOVED



SUPPLY AMPERAGE	LINE LUGS PROVIDED (PH & N)	REMOVABLE LINK BUS CROSS SECTION
1600	<6> #1/0-750MCM CU/AL	1.25" x 4"
2000	<7> #1/0-750MCM CU/AL	1.25" x 4"
2500	<8> #1/0-750MCM CU/AL	1.5" x 4"
3000	<10> #1/0-750MCM CU/AL	1.5" x 4"
4000	<12> #1/0-750MCM CU/AL	2" x 4"



ELECTRO-MECHANICAL
INDUSTRIES, INC.

13300 6TH AVE NORTH PLYMOUTH, MN 55441 web: e-m-i.com (763) 546-5998

TITLE: 1201-4000A SWITCHBOARD
BOTTOM FEED CT METERING

DRAWING: SHEET: 4 OF 6

DATE: 10/19/2020

JOB NAME: AMEREN APPROVAL

JOB NUMBER:

JOB LOCATION:

DISTRIBUTOR:

CONTRACTOR:

DRAWN BY: ZLJ

CHECKED BY: ENGR BY:

DRAWN FOR: APPROVAL

DRAWING LOCATION:

NO.	DATE	DWG BY:	APR. BY:
1	03/30/2021	ZLJ	NA
ADD POWDER COAT FINISH NOTES			
ADD QUARTER TURN LATCHES TO PT BOX			
2	01/20/2022	ZLJ	NA
ADD SWITCHBOARD METERING COMPARTMENTS			
3	03/09/2022	ZLJ	NA
REMOVE CTB, REVISE PER AMEREN COMMENTS			

ELECTRICAL RATING

VOLTS: 600V MAX	
PHASE: THREE	WIRES: FOUR
AMPS: 1201-4000	FREQUENCY: 60HZ
SHORT CIRCUIT (MAX): 100 KA MAX	
ENCLOSURE TYPE:	
BUS BAR:	
REAR COVER PLATES:	
SERVICE ENTRANCE:	STANDARD: UL891
SIX DISCONNECT RULE:	
PAINT COLOR:	

THIS DOCUMENT IS THE PROPERTY OF ELECTRO-MECHANICAL INDUSTRIES, INC. IT CONTAINS PROPRIETARY AND CONFIDENTIAL INFORMATION WHICH MUST NOT BE DUPLICATED, USED, OR DISCLOSED OTHER THAN EXPRESSLY AUTHORIZED BY ELECTRO-MECHANICAL INDUSTRIES, INC. OR ITS REPRESENTATIVE.

DWG NO. SBCT4000BF-AM