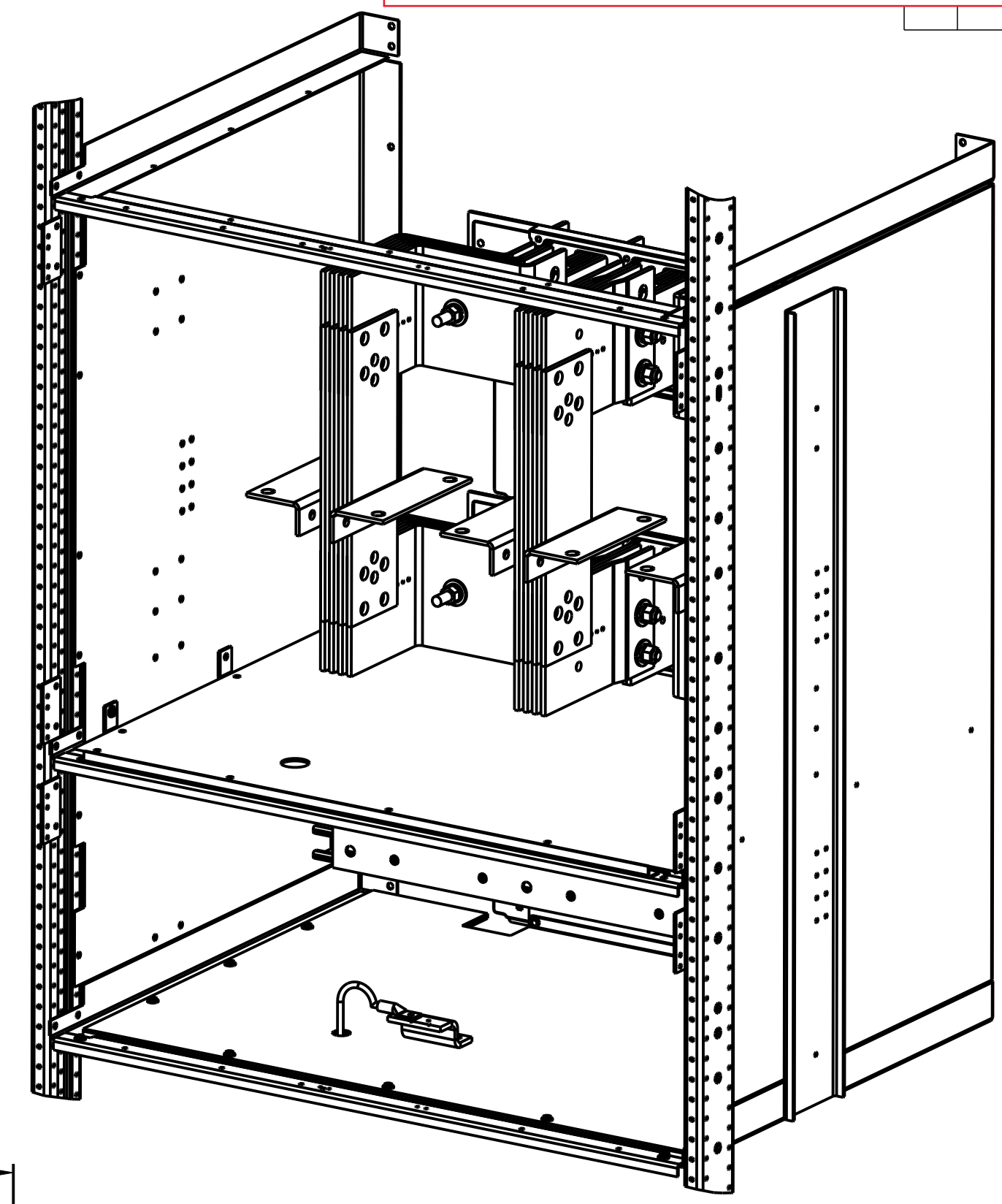
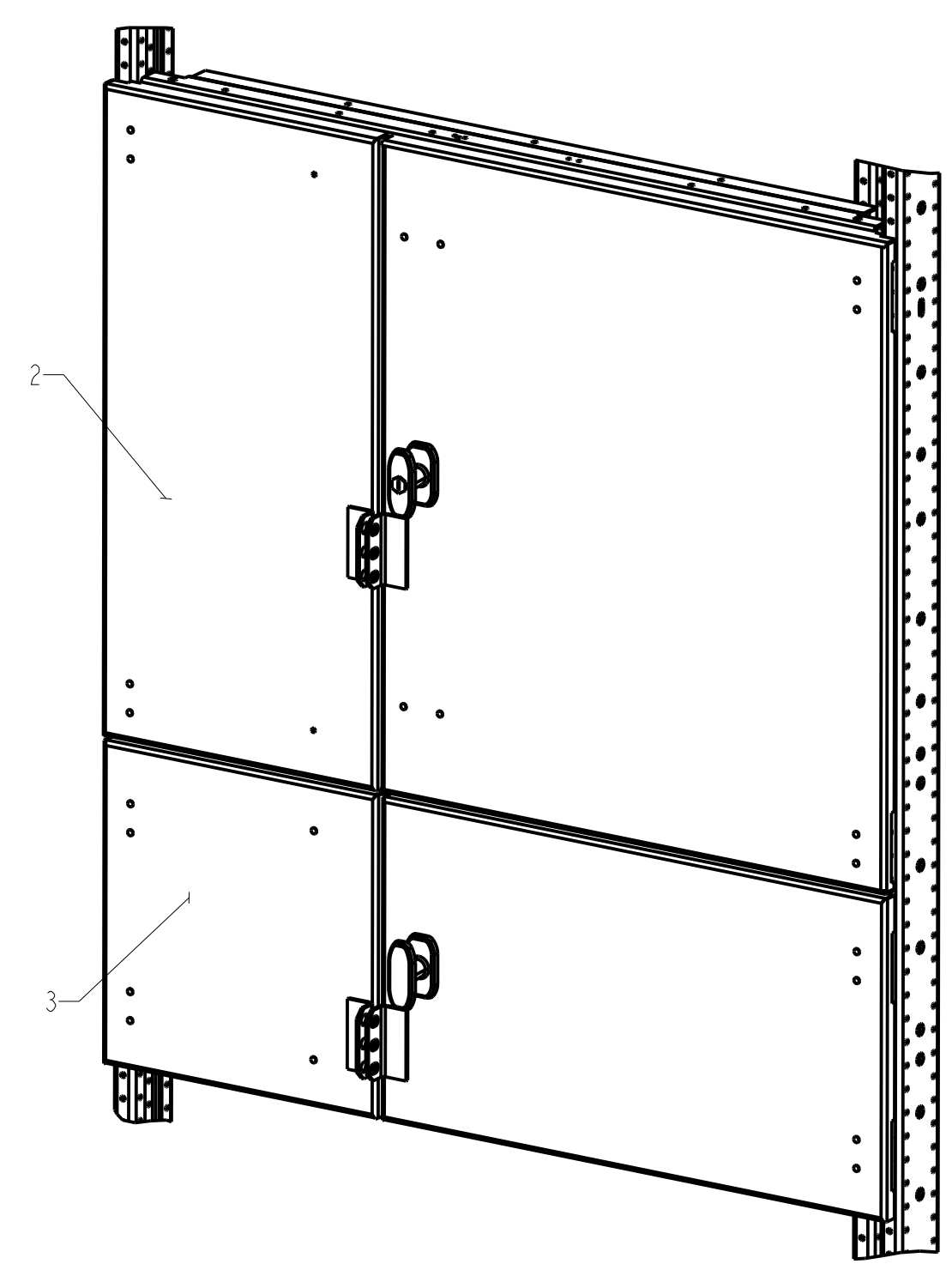
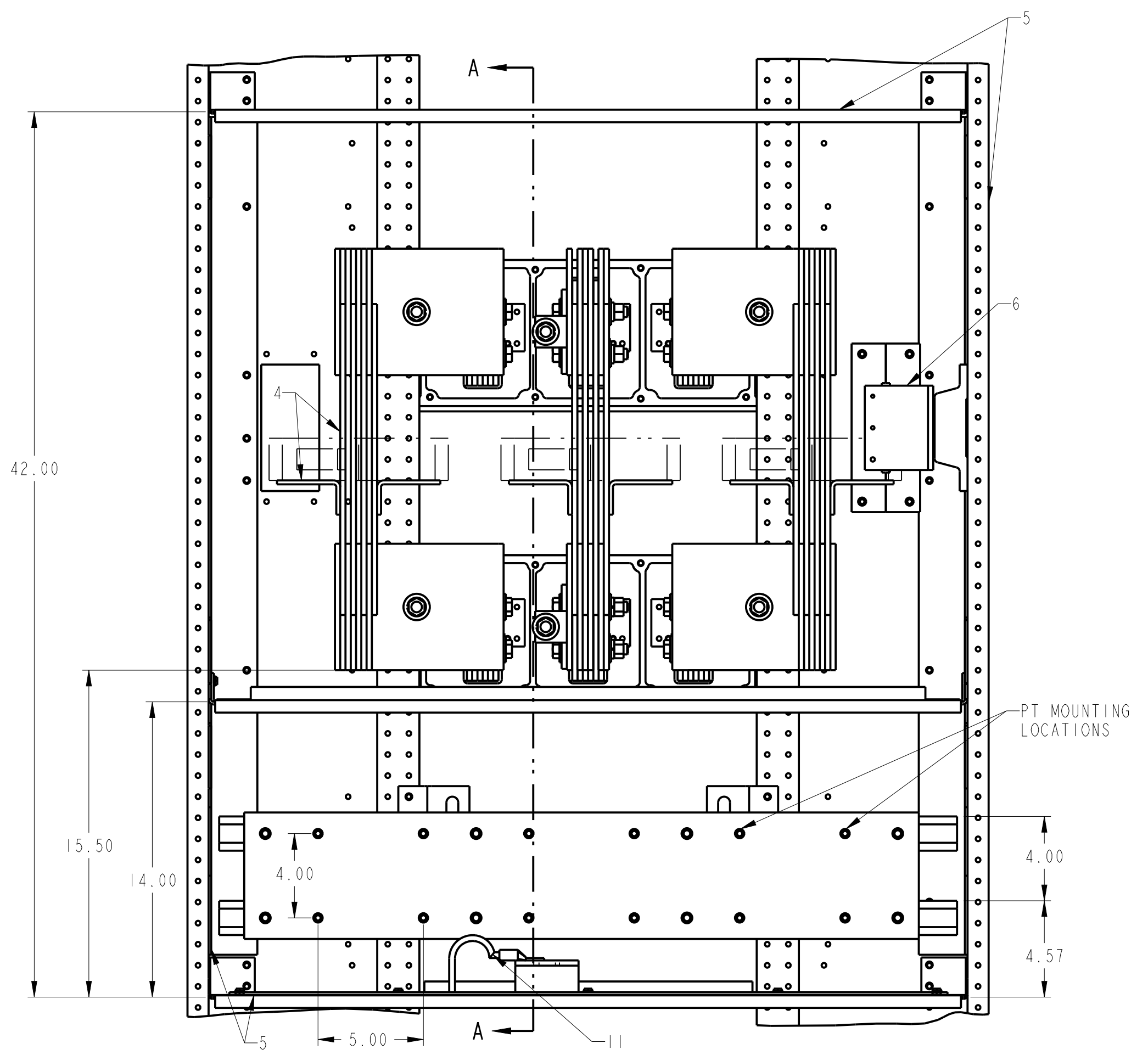


PARTIAL TOP VIEW

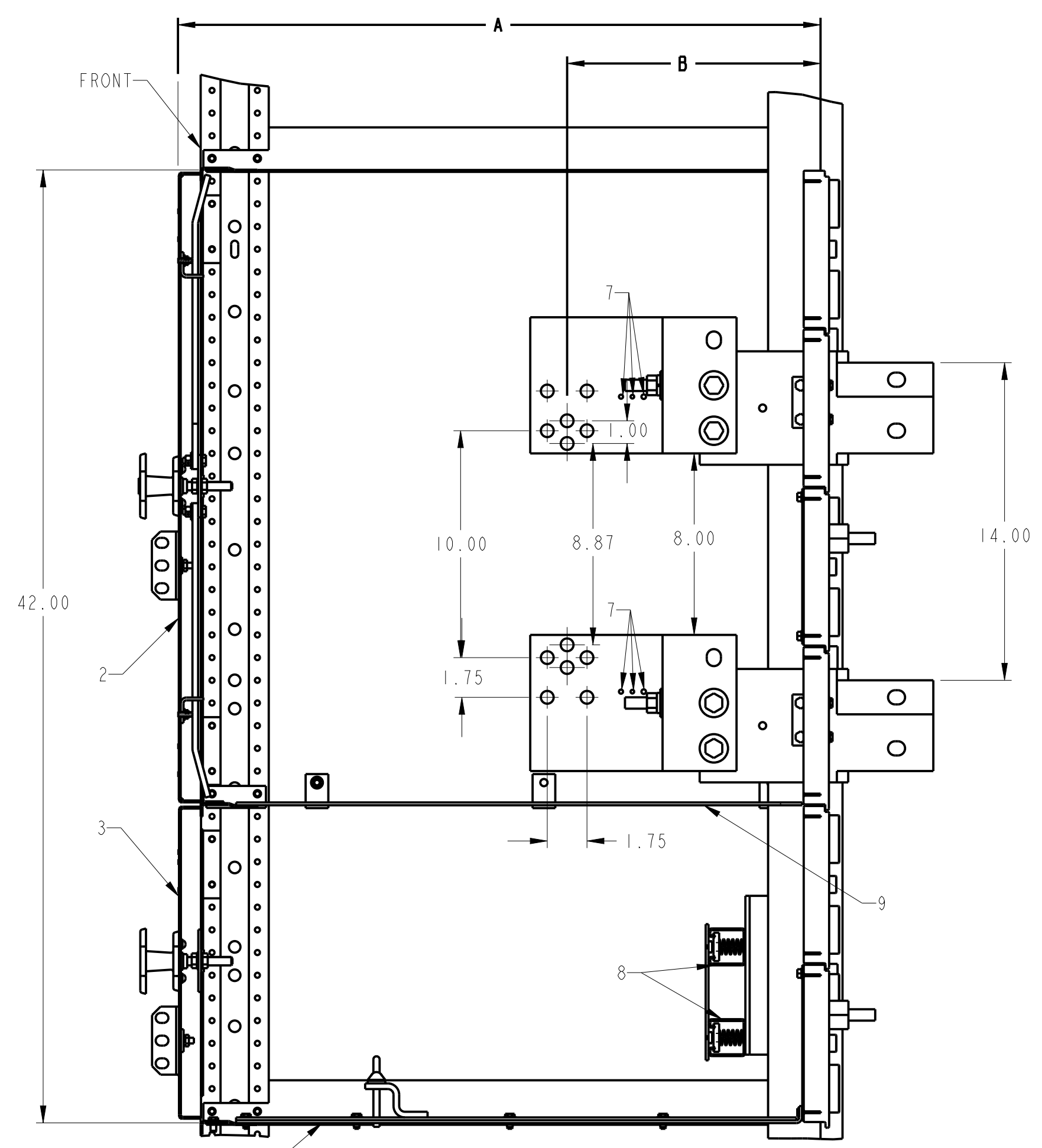


USE	A	B
PB/AK	28.31	18.31
AK	35.31	25.31
AKD20	28.31	18.31
RGLVSG	28.31	18.31

AMPS	LINKS (COPPER)	C/T OPENING DIA. / INCHES
		STANDARD LINK LENGTH
2000 OR LESS	2 PCS. - 1/4 X 4	5 1/2
2500-3200	3 PCS. - 1/4 X 4	14.5"
4000	4 PCS. - 1/4 X 4	

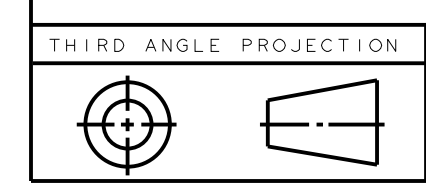


PARTIAL FRONT VIEW



PARTIAL SIDE VIEW SECTION A-A

- JUMPER STUDS AND POTENTIAL TAPS WITH 10-32 AND 1/4-20 THREADS FOR LINE SIDE.
- DOUBLE DOORS, 3 POINT LATCH AND LOCK WITH SEALING PROVISIONS ON CURRENT TRANSFORMER COMPARTMENT.
- DOUBLE DOORS, T-HANDLE LATCH AND LOCK WITH SEALING PROVISIONS ON POTENTIAL TRANSFORMER COMPARTMENT.
- LINKS & CT SUPPORTS PROVIDED FOR MOUNTING ANSI C12.11 LARGE SIZE WINDOW TYPE CT'S.
- ALUMINUM BARRIERS ARE FURNISHED AT TOP, SIDE, AND BOTTOM.
- NEUTRAL TAP, BUSSED TO THE SWITCHGEARD NEUTRAL IS PROVIDED WITH 1/4-20 TAP, 10-32 TAP AND 1/0 TO #10 LUG.
- PHASE TAP HAS 10 - 24, 10 - 32, AND 1/4 - 20 THREADS, ALL PHASES.
- ADJUSTABLE POTENTIAL TRANSFORMER MOUNTING FOR THREE PT'S PROVIDED IN A SEPARATE COMPARTMENT FOR VOLTAGES 277/480V AND 480V SERVICES.
- INSULATION BARRIER PROVIDED BETWEEN CT AND PT COMPARTMENTS. 1" DIAMETER HOLE WITH BUSHING PROVIDED FOR WIRE ROUTING.
- 4000A C/T LINKS SHOWN, REPRESENTS LESSER AMPERAGE RATINGS.
- GROUND TAP, CONNECTED TO THE SWITCHGEARD GROUND WITH # 6 AWG CABLE, IS PROVIDED WITH 1/4 - 20 TAP AND 10 - 32 TAP. GROUND CABLE IS MARKED WITH GREEN INSULATING TAPE.
- BOTTOM OF CT/PT COMPARTMENT SHALL BE NO LOWER THAN 24" FROM FLOOR.
- TOP OF CT/PT COMPARTMENT SHALL BE NO HIGHER THAN 78" FROM FLOOR.
- BRACING REQUIRED FOR 100K AND ABOVE.



3D Model is the Master Document of Record
 Article or Material Must Conform to REACH Procedure SI900000 Sec.14
 Article or Material Must Conform to ROHS Procedure SI900000 Sec.13
 Part Must Conform to SI900000 Sec.4 Toxicity Procedure
 Geometric Dimensioning & Tolerancing as per ASME Y14.5-2009

FOR ADDITIONAL INFO REFER TO:		SIGNATURES		DATE
APPLIED PRACTICES	0282A3025	MODEL	AVH	5/11/09
DIMENSIONS ARE IN INCHES		DETAIL	AVH	5/11/09
UNLESS OTHERWISE SPECIFIED IN DRAWING		CHECKED	BALAJI	5/11/09
		ENGRG		
		MFG		
		QUALITY		
TOLERANCE ON:		ISSUED		
1 PL DECIMALS ± 0.0				
2 PL DECIMALS ± 0.02				
3 PL DECIMALS ± 0.005				
ANGLES ± 1.0				
FRACTIONS ± FINISH				
CRITICAL TO QUALITY CHARACTERISTIC		DRAWING FILE:	0213D3645-0001	
		SOLID MODEL:	0213D3645	

TITLE		REV
AMEREN 1201-4000A WITH WINDOW TYPE CT COMPARTMENT LOW VOLTAGE SWITCHGEAR		3
SIZE	DRAWING	
D		
SCALE:	0.200	
REF. No.:	0176D7023	
DRAWING FILE:		0213D3645
SHEET		1 OF 1