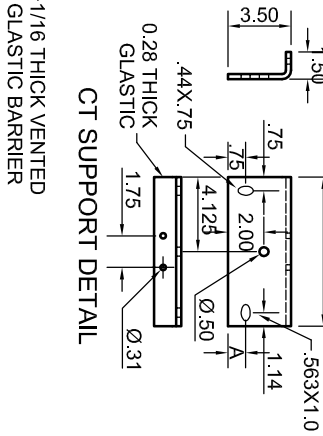
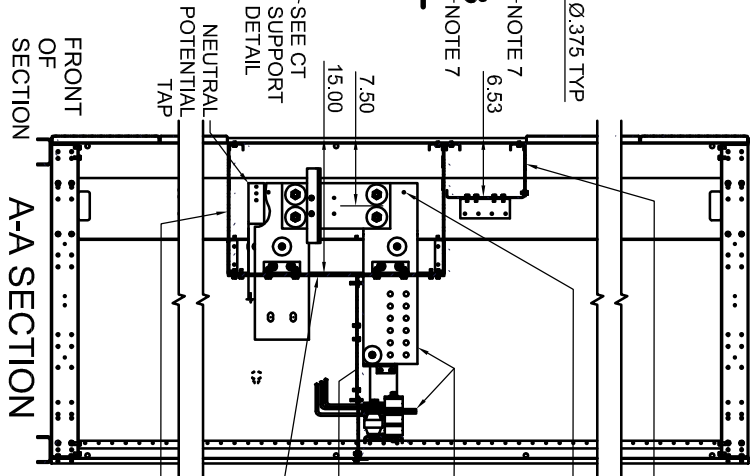


AMPS	BARMS PER PH.	BUS SIZE	JMPS PER PH.	JMPR SIZE	WIDTH MIN W	DEPTH MIN W/MAIN	DEPTH MIN W/O MAIN	CT SHELF HOLE "A"
1600	2	0.25X3.25	2	0.25X3.25	36	36	36	0.75
2000	2	0.25X4.0	2	0.25X4.0	36	36	36	0.75
2500	2	0.25X5.0	2	0.25X5.0	36	36	36	0.75
3000	2	0.25X6.0	3	0.25X5.0	42	48	36	1.101
4000	3	0.25X6.0	4	0.25X5.0	42	48	36	1.351

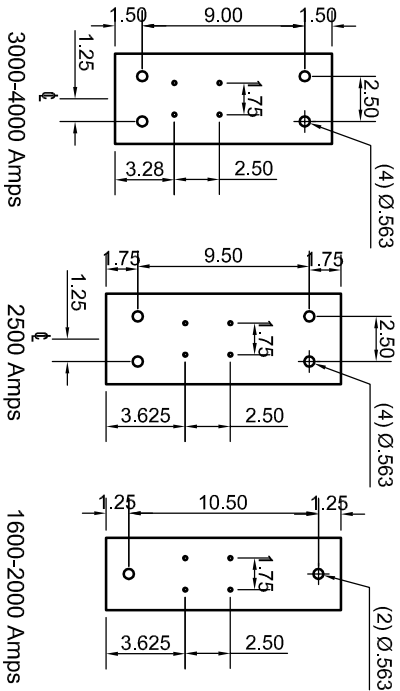
B-B SECTION
 DESIGN TO ACCEPT 4 WINDOW STYLE CT'S
 GE TYPE JAD-O
 RITZ TYPE R6L
 ABB TYPE DCE
 TYPE CLC-S



CT SUPPORT DETAIL

1/4-20 TAPPED HOLE WITH LUG TO ACCOMMODATE #10 WIRE ON ALL PHASES AND NEUTRAL

1/16 THICK VENTED GLASTIC BARRIER
 INCOMING CABLE TERMINATION
 1/8 THICK VENTED GLASTIC BARRIER
 1/4 THICK GLASTIC REAR BARRIER
 1/8 THICK ALUMINUM VENTED BARRIER TOP AND BOTTOM



JUMPER DETAIL

- NOTES:**
- FRONT OF 36" WIDE CT AND PT COMPARTMENTS ARE ENCLOSED BY A SINGLE DOOR OR DOUBLE DOORS FOR 42" WIDE COMPARTMENTS. DOORS ARE TO BE HINGED ON THE SIDE AND EQUIPPED WITH A SEALING HASP FOR A PADLOCK TYPE SEAL.
 - CT AND PT COMPARTMENTS ARE FULLY BARRIERED.
 - TOP FEED CT AND PT COMPARTMENTS SHOWN. INVERT FOR BOTTOM FEED.
 - THIS SERVICE SECTION IS FOR USE ON:
 120 / 208 V 3 PH, 4W - PT COMP RTREQ
 277 / 480 V 3 PH, 4W - PT COMP RTREQ
 240 V Δ 3 PH, 3W
 480 V Δ 3 PH, 3W - PT COMP RTREQ
 PT COMPARTMENT REQUIRED ONLY FOR 277/480V AND 480V SERVICE. PT COMPARTMENT MUST BE LOCATED DIRECTLY ABOVE OR BELOW THE CT COMPARTMENT.
 - PROVIDE TWO 1" MIN DIAMETER HOLES FOR ROUTING METER WIRING BETWEEN CT AND PT COMPARTMENTS.
 - PROVIDE GROUND LUG IN CT COMPARTMENT TO ACCEPT CUSTOMER #10 COPPER GROUND WIRE. LUG TO BE CONNECTED BY SQUARE D TO SWITCHBOARD GROUND.
 - CHANNEL HEIGHT TO BE 1.18" FOR 42"W STRUCTURES.
 - PROVIDE 1/4" X 1/2" BOLT FOR MOUNTING UTILITY PTS.
 - WHITE NAMEPLATE WITH BLACK LETTERING ENGRAVED WITH "AMEREN UTILITY METERING" SHALL BE APPLIED TO THE CT COMPART DOOR.

REV	AN	DATE	BY	REVISION DESCRIPTION
G		01-18-2022	MH	UPDATED TOTAL SHEET NUMBER.

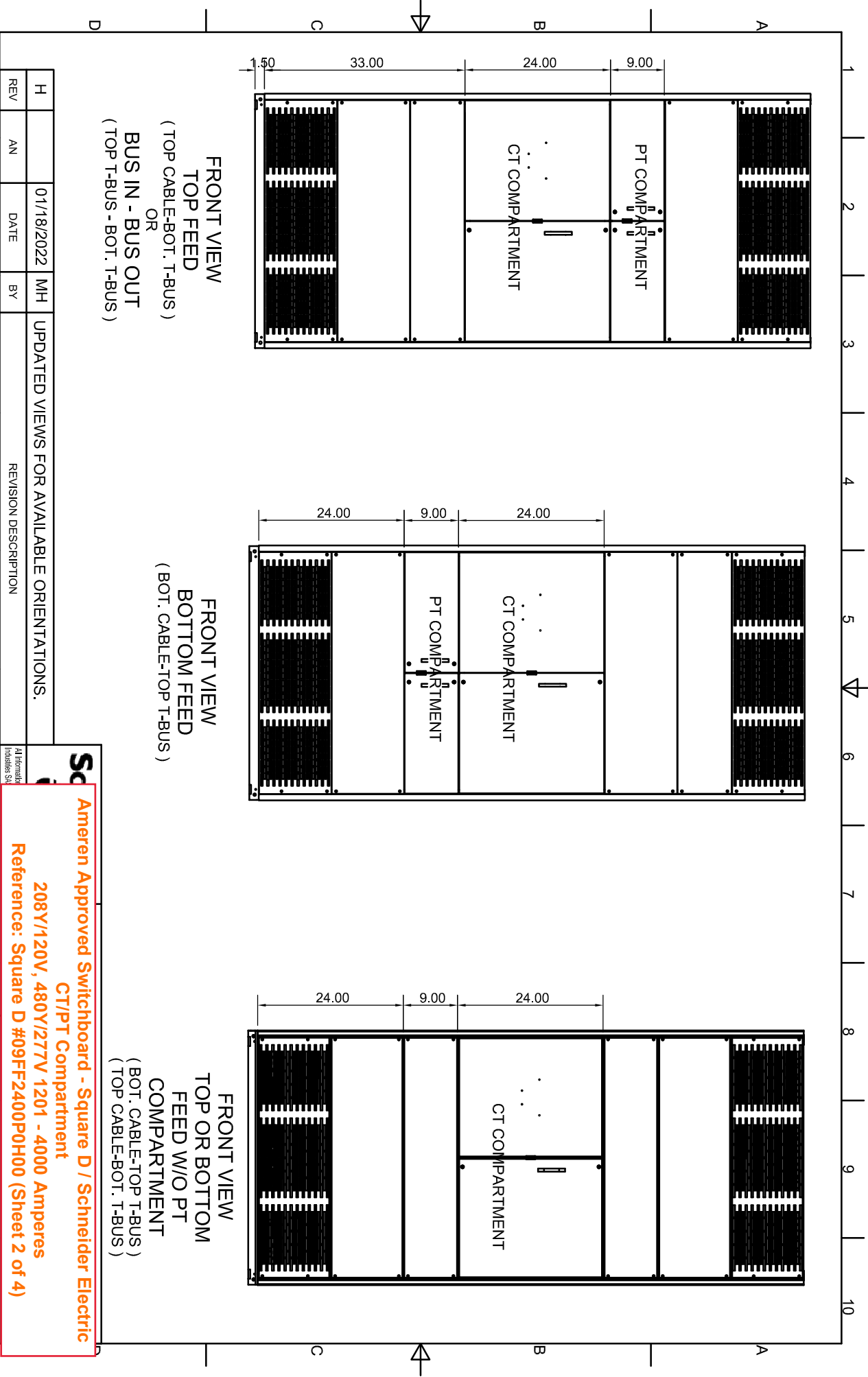
Schneider Electric

Ameren Approved Switchboard - Square D / Schneider Electric CT/PT Compartment

208Y/120V, 480Y/277V, 1201 - 4000 Amperes

Reference: Square D #09FF2400P0H00 (Sheet 1 of 4)

Information and Instructions S&S and



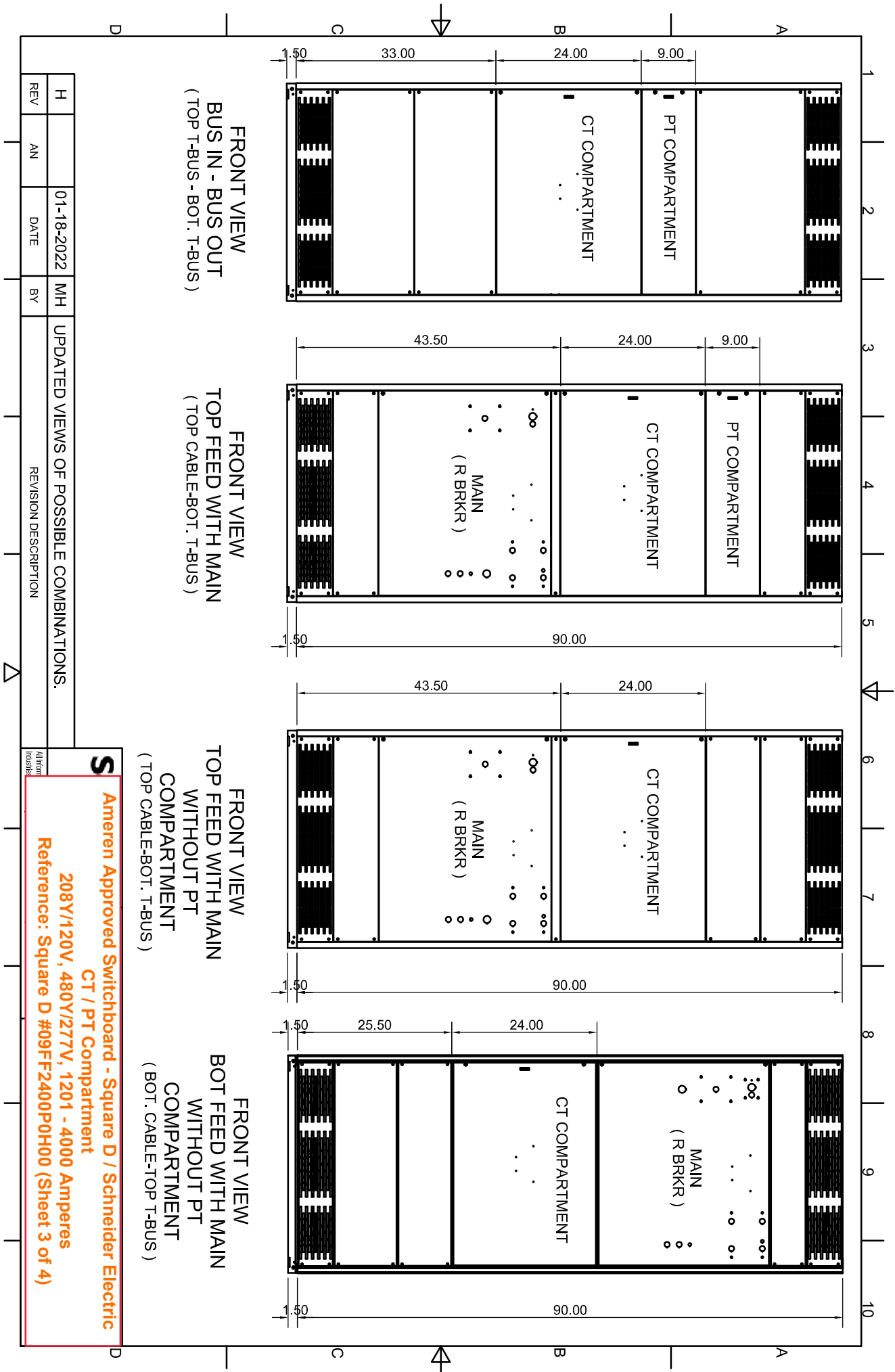
**FRONT VIEW
TOP FEED
(TOP CABLE-BOT. T-BUS)
OR
BUS IN - BUS OUT
(TOP T-BUS - BOT. T-BUS)**

**FRONT VIEW
BOTTOM FEED
(BOT. CABLE-TOP T-BUS)**

**FRONT VIEW
TOP OR BOTTOM
FEED W/O PT
COMPARTMENT
(BOT. CABLE-TOP T-BUS)
(TOP CABLE-BOT. T-BUS)**

REV	AN	DATE	BY	REVISION DESCRIPTION
H		01/18/2022	MH	UPDATED VIEWS FOR AVAILABLE ORIENTATIONS.

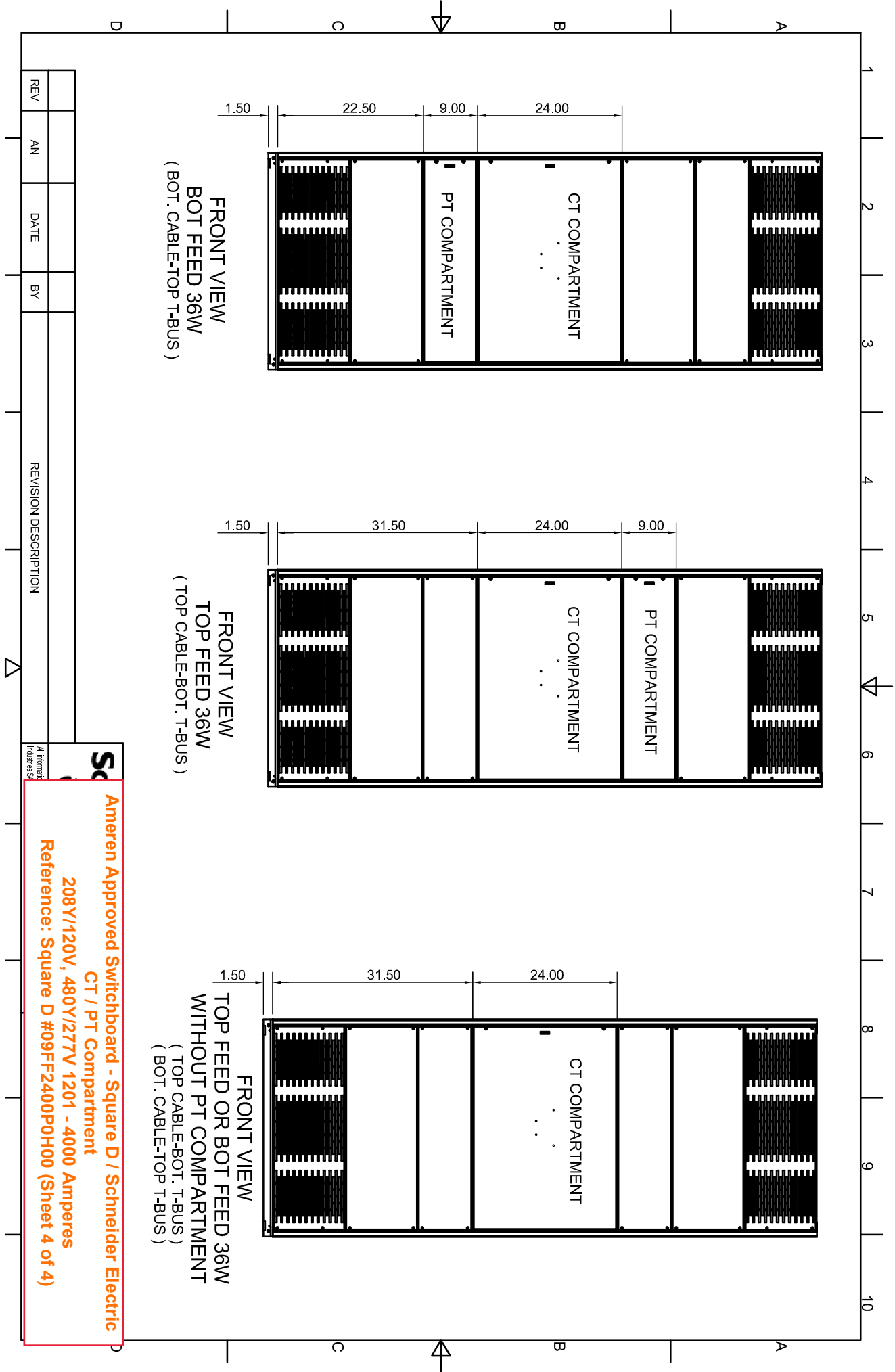
Ameren Approved Switchboard - Square D / Schneider Electric
CT/PT Compartment
208Y/120V, 480Y/277V 1201 - 4000 Amperes
Reference: Square D #09FF2400P0H00 (Sheet 2 of 4)



REV	AN	DATE	BY	REVISION DESCRIPTION
H		01-18-2022	MH	UPDATED VIEWS OF POSSIBLE COMBINATIONS.

S Ameren Approved Switchboard - Square D / Schneider Electric
 CT / PT Compartment
 208Y/120V, 480Y/277V, 1201 - 4000 Amperes
 Reference: Square D #09FF2400P0H00 (Sheet 3 of 4)

All dimensions in inches



REV	AN	DATE	BY	REVISION DESCRIPTION

Ameren Approved Switchboard - Square D / Schneider Electric
CT / PT Compartment
208Y/120V, 480Y/277V 1201 - 4000 Amperes
Reference: Square D #09FF2400PH00 (Sheet 4 of 4)